

# AU REVOIR suspension

Matteo Ugolini design

year 2015

## SE110 OB INT

## TECHNICAL SHEET


### STRUCTURE "A"

|          |       |   |
|----------|-------|---|
| material | glass |  |
| colour   | white |   |

### CEILING CUP "E"

|          |       |   |
|----------|-------|---|
| material | glass |  |
| colour   | white |   |

### ELECTRICAL CABLE "C"

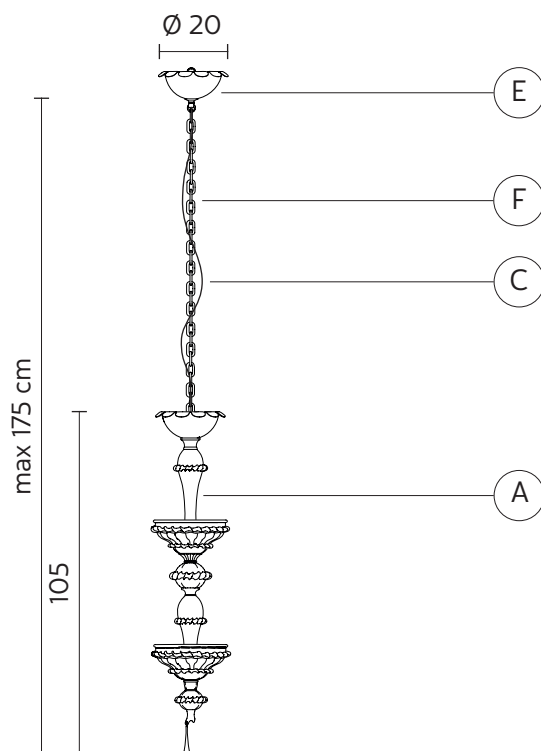
|          |             |   |
|----------|-------------|---|
| material | PVC         |  |
| colour   | transparent |   |

### SUSPENSION CHAIN "F"

|          |       |  |
|----------|-------|--|
| material | steel |  |
|----------|-------|--|


### PACKAGING

|                 |          |
|-----------------|----------|
| nr.of collis    | 1        |
| net weight/kg   | 6,95     |
| gross weight/kg | 7,6      |
| packaging/cm    | 40x40x95 |



## SE110 1B INT

### STRUCTURE "A"

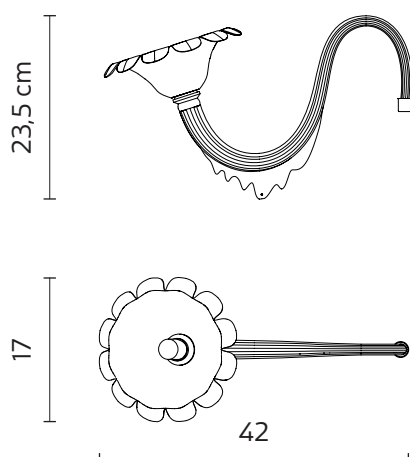
|          |       |   |
|----------|-------|---|
| material | glass |  |
| colour   | white |   |

### PACKAGING

|               |     |
|---------------|-----|
| net weight/kg | 1,2 |
|---------------|-----|

### ELECTRICAL SYSTEM

|              |               |
|--------------|---------------|
| socket       | E14           |
| source       | max 1x42w     |
| energy class | from E to A++ |



## SE110 2B INT

### STRUCTURE "A"

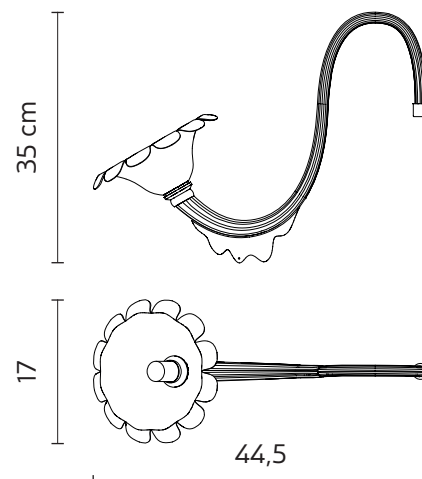
|          |       |   |
|----------|-------|---|
| material | glass |  |
| colour   | white |   |

### PACKAGING

|               |      |
|---------------|------|
| net weight/kg | 1,25 |
|---------------|------|

### ELECTRICAL SYSTEM

|              |               |
|--------------|---------------|
| socket       | E14           |
| source       | max 1x42w     |
| energy class | from E to A++ |



# AU REVOIR suspension

Matteo Ugolini design

year 2015

## SE110 3B INT

### STRUCTURE "A"

material glass  
colour white

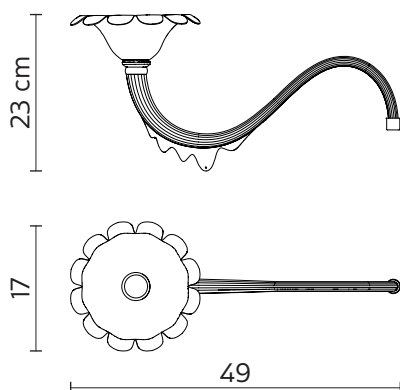


### PACKAGING

net weight/kg 1,2

### ELECTRICAL SYSTEM

socket E14  
source max 1x42w  
energy class from E to A++



## SE110 4B INT - TECHNICAL SHEET

### STRUCTURE "A"

material glass  
colour white

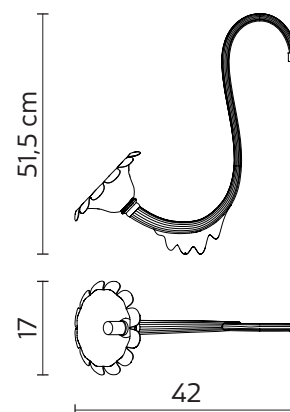


### PACKAGING

net weight/kg 1,35

### ELECTRICAL SYSTEM

socket E14  
source max 1x42w  
energy class from E to A++



## SE110 5B INT

### STRUCTURE "A"

material glass  
colour white

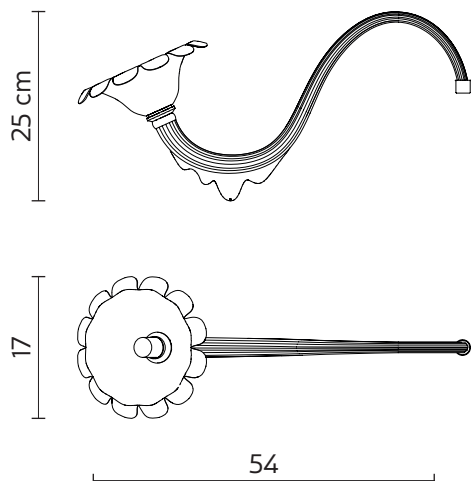


### PACKAGING

net weight/kg 1,25

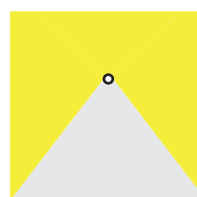
### ELECTRICAL SYSTEM

socket E14  
source max 1x42w  
energy class from E to A++



### EMISSION OF LIGHT

unidirectional



### CERTIFICATION

IEC 60598-1:2008  
EN 60598-1:2008 + A11:2009



ip rate  
bulb

IP20  
optional



code **700C**  
decorative bulb  
E14 - 30w - ≤60 lumen  
class E

# AU REVOIR suspension

Matteo Ugolini design

year 2015

## AC110 1B INT

### STRUCTURE "A"

material  
colour

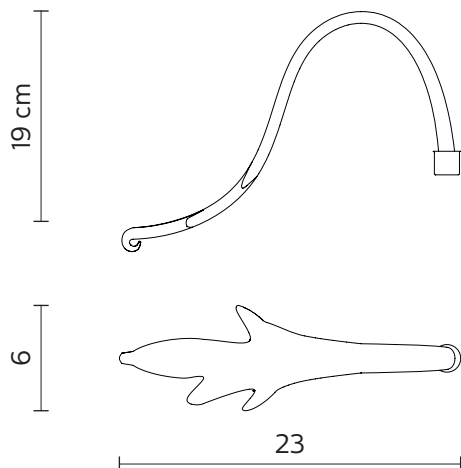
glass  
white



### PACKAGING

net weight/kg

0,2



## AC110 2B INT

### STRUCTURE "A"

material  
colour

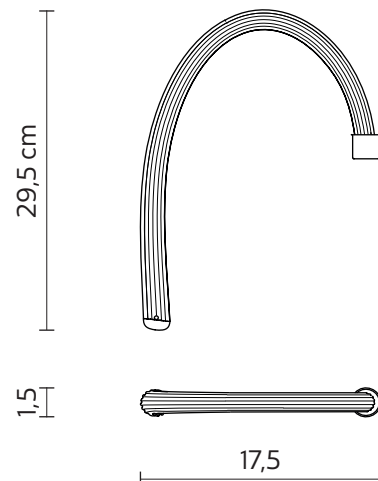
glass  
white



### PACKAGING

net weight/kg

0,15



## AC110 3B INT

### STRUCTURE "A"

material  
colour

glass  
white



### PACKAGING

net weight/kg

0,02

