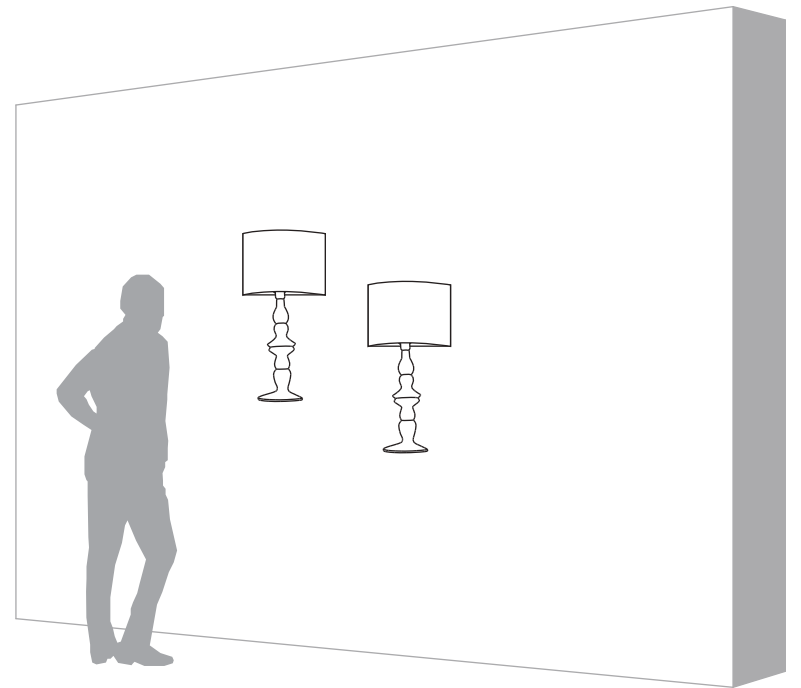


# ALÌ E BABÀ

AP625CBS  
AP625LS

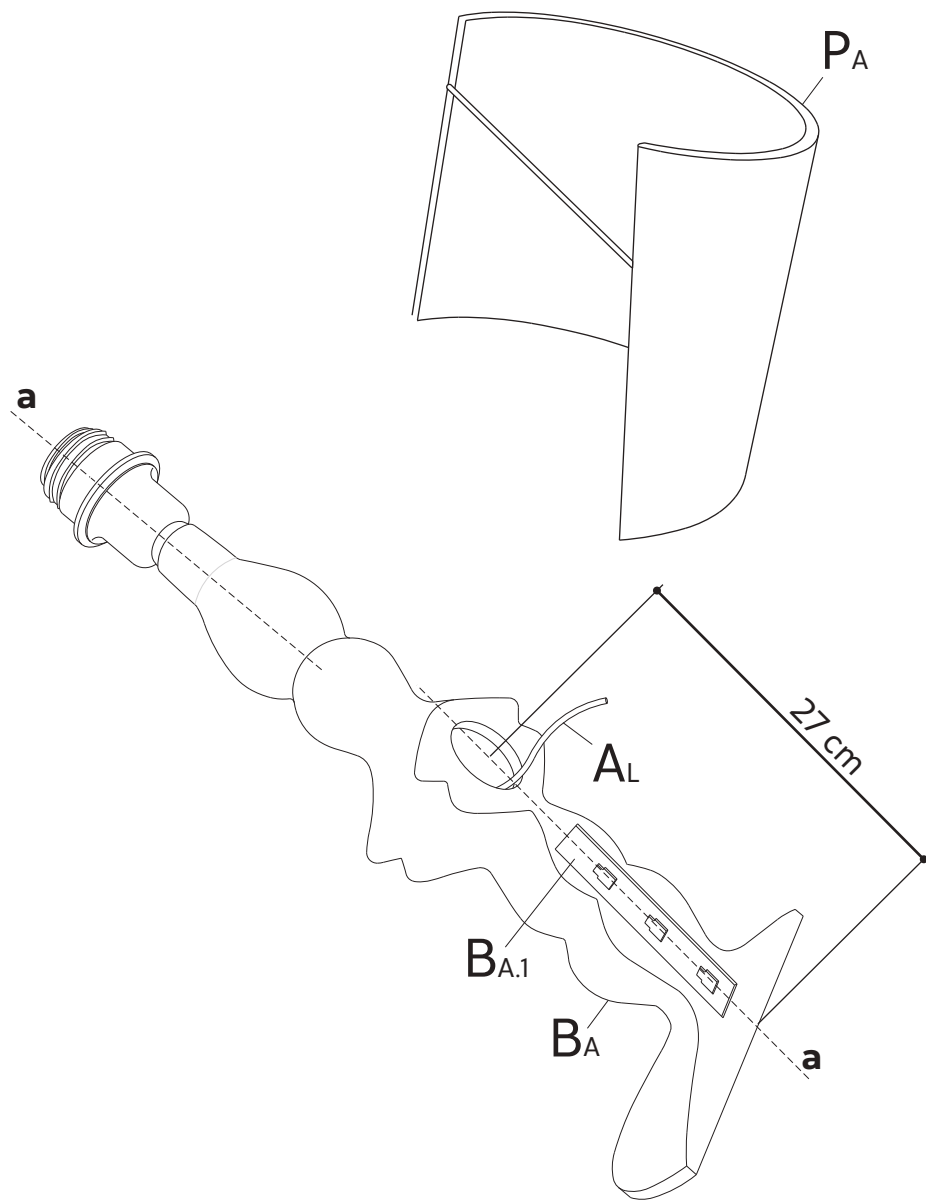
220-240 V.  
max 1x52W - E27



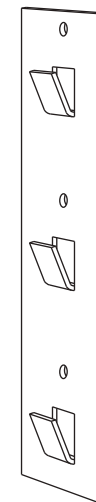
Karman srl

Via A. Grandi, San Martino del piano, 61034 Fossombrone (PU), Italy - p.iva 02175640412 tel +39 0721 71 5042 r.a fax +39 0721 716640 - [www.karmanitalia.it](http://www.karmanitalia.it)

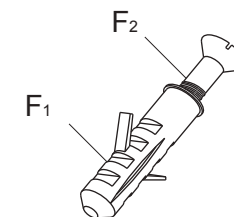




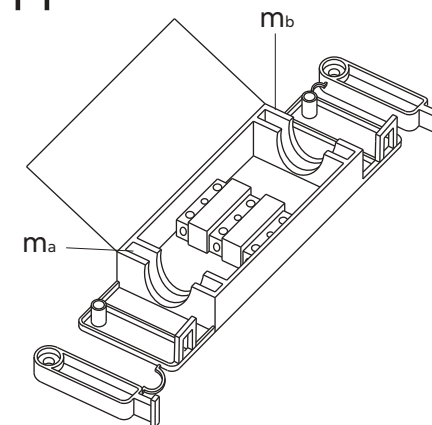
1x **BA.2**



4x **F**



1x **M**



1x **B**

