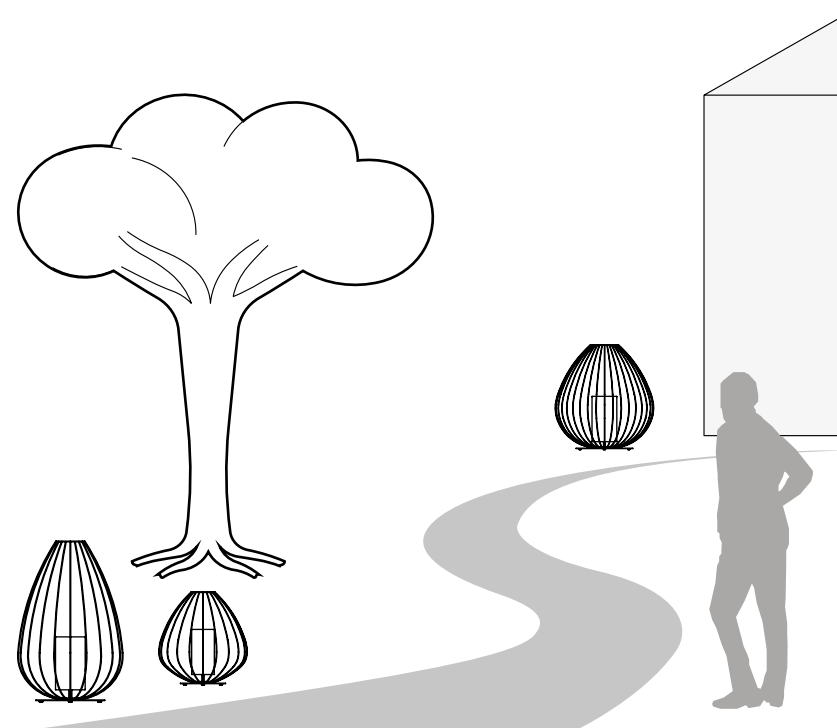


CELL

M612-V1E
M613-V1E
M615-V1E

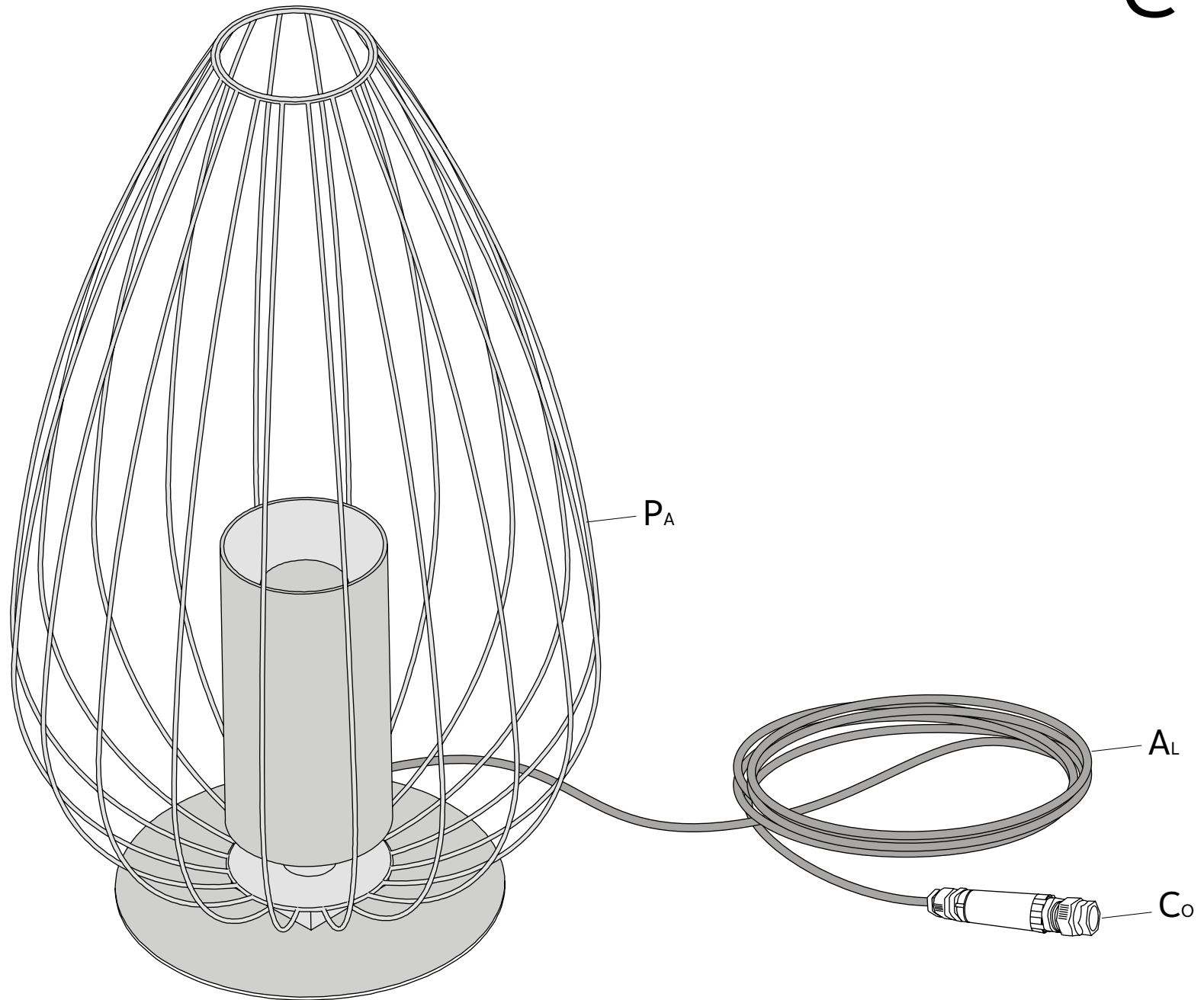
CT612 AM V1E
HP613 BM V1E
HP615 DM V1E

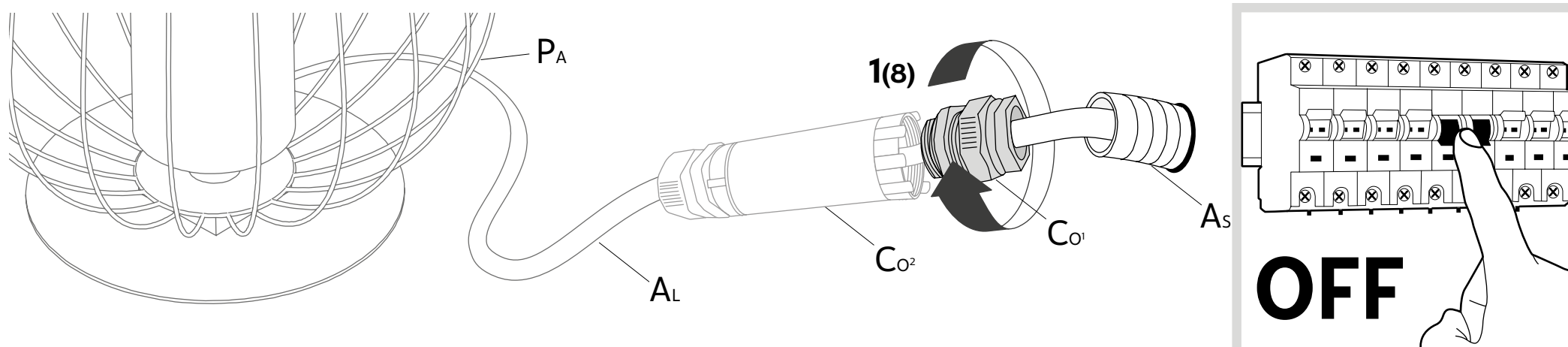
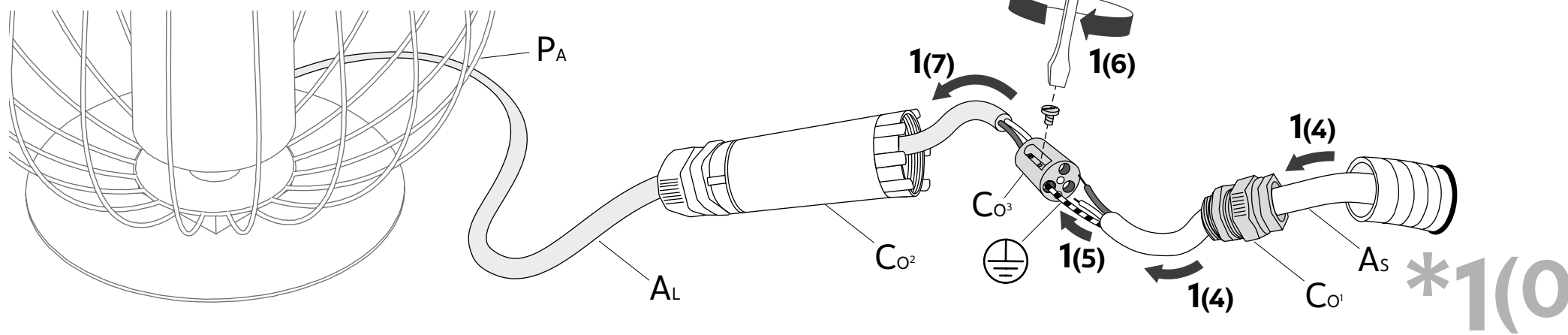
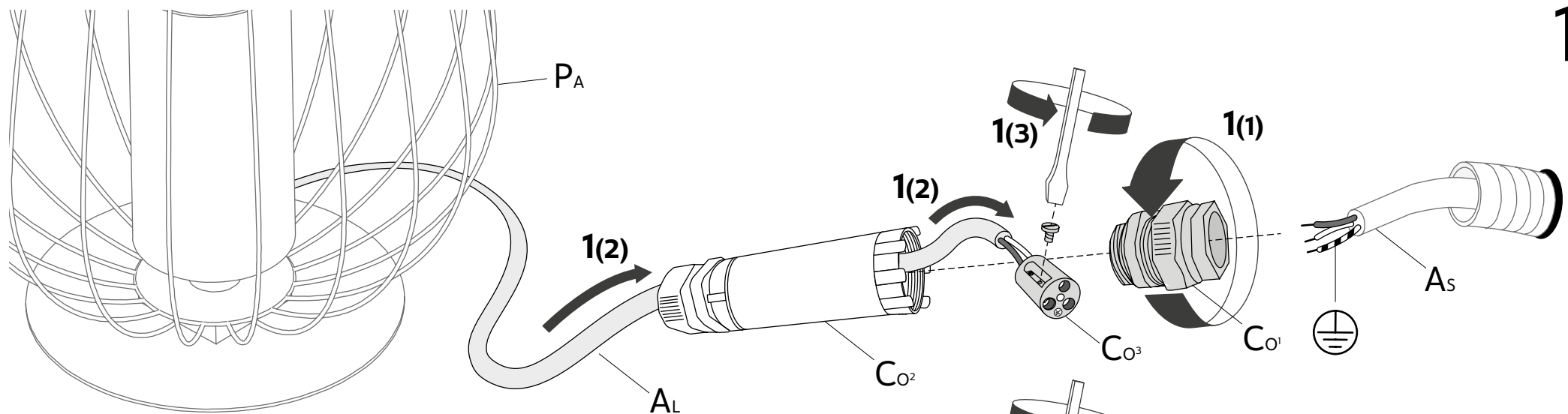
110V
1 x max 18W LED - E26

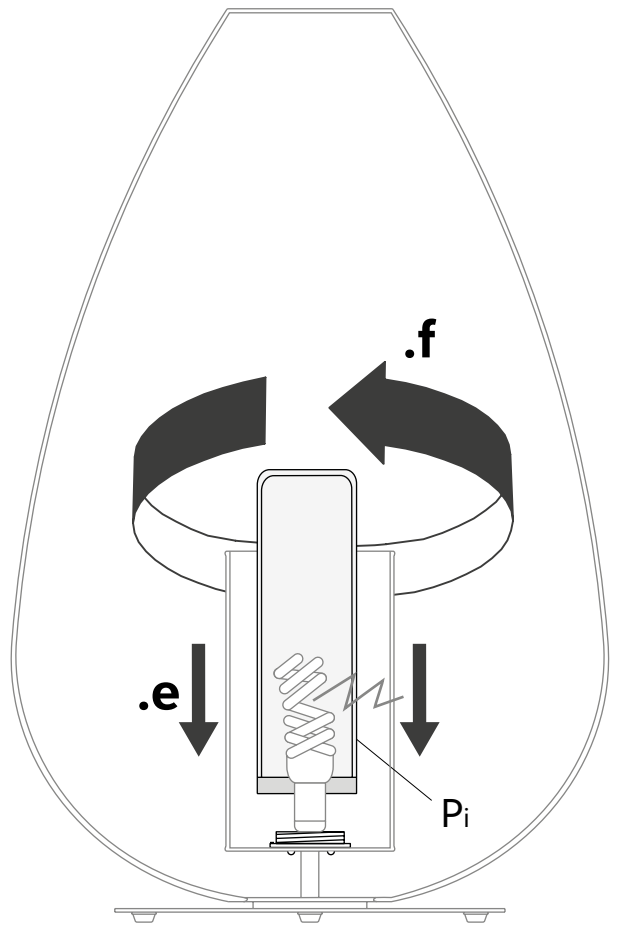
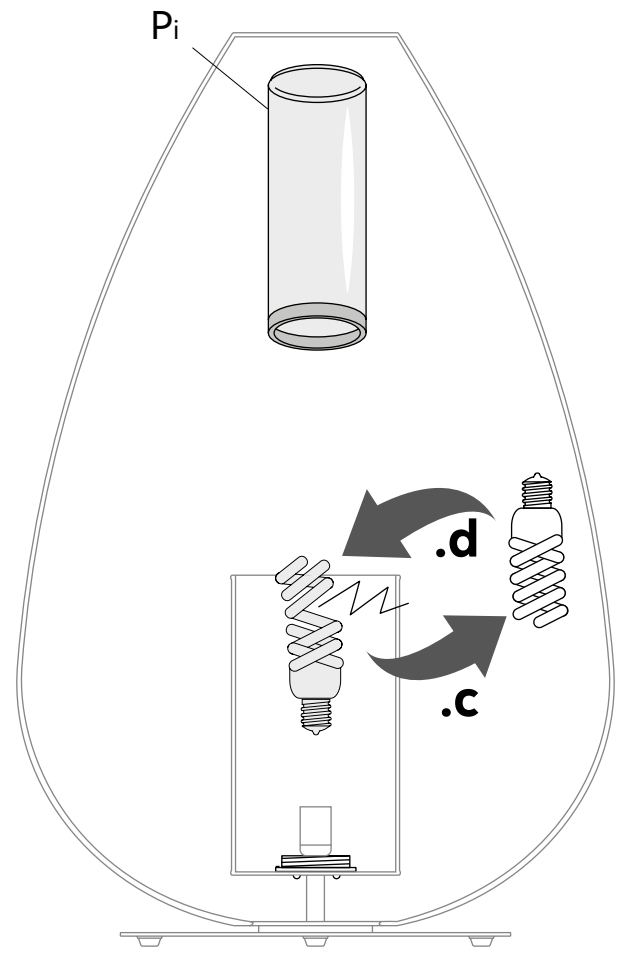
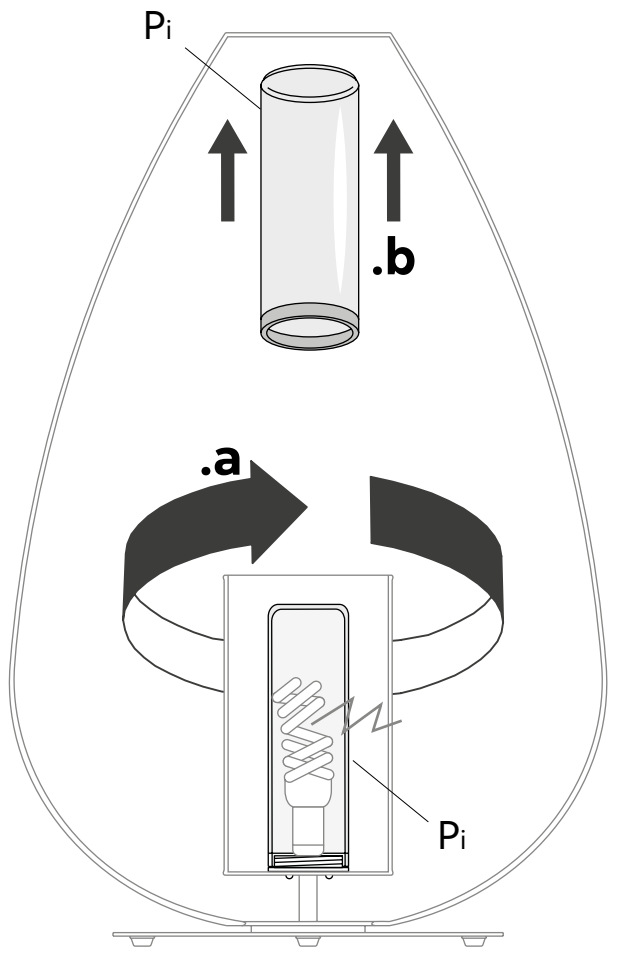
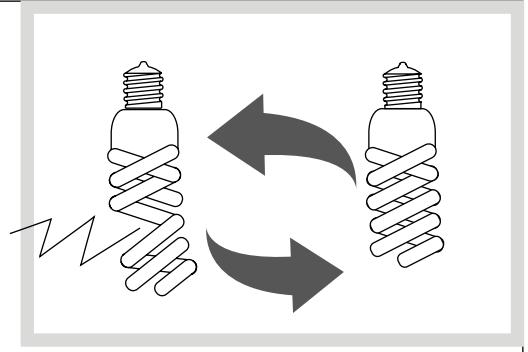


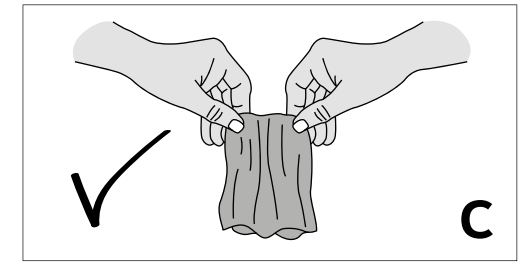
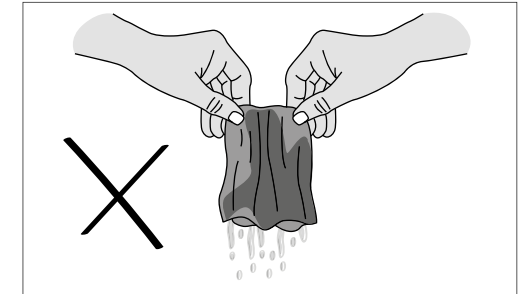
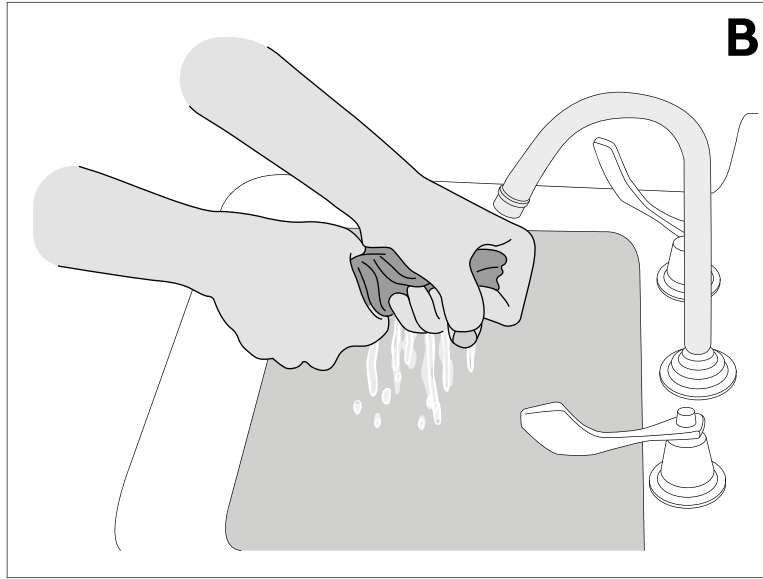
WET LOCATION

C - 01









chemical agents

chemical agents

alcohol

