

CELL



SE612B (a)

SE613B (a)

SE614B (b)

SE615B (a)

SE612 AM INT (a)

SE613 BM INT (a)

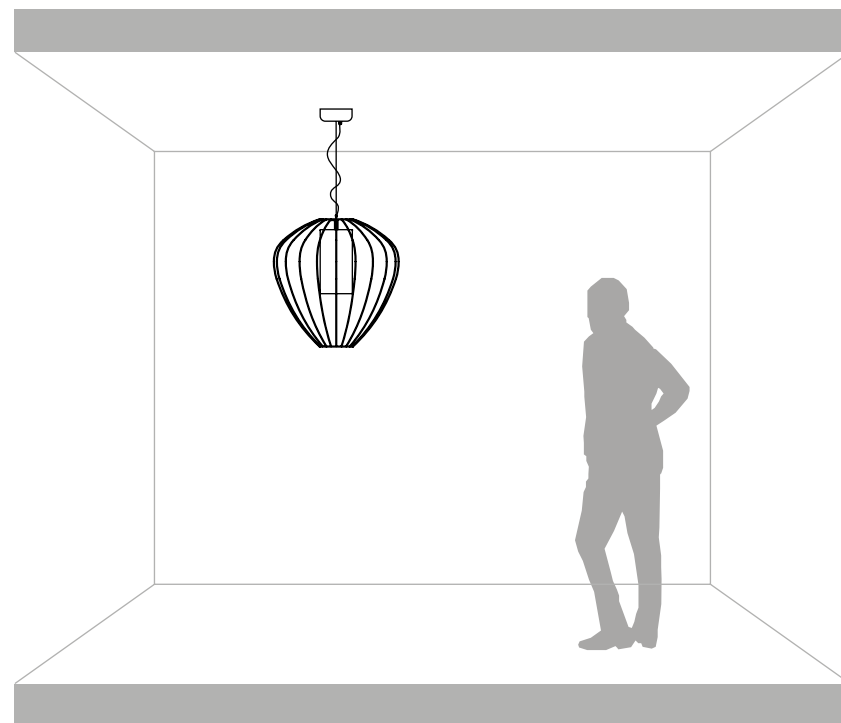
SE614 CM INT (b)

SE615 DM INT (a)

220-240V

1 x max 52W - E27 (a)

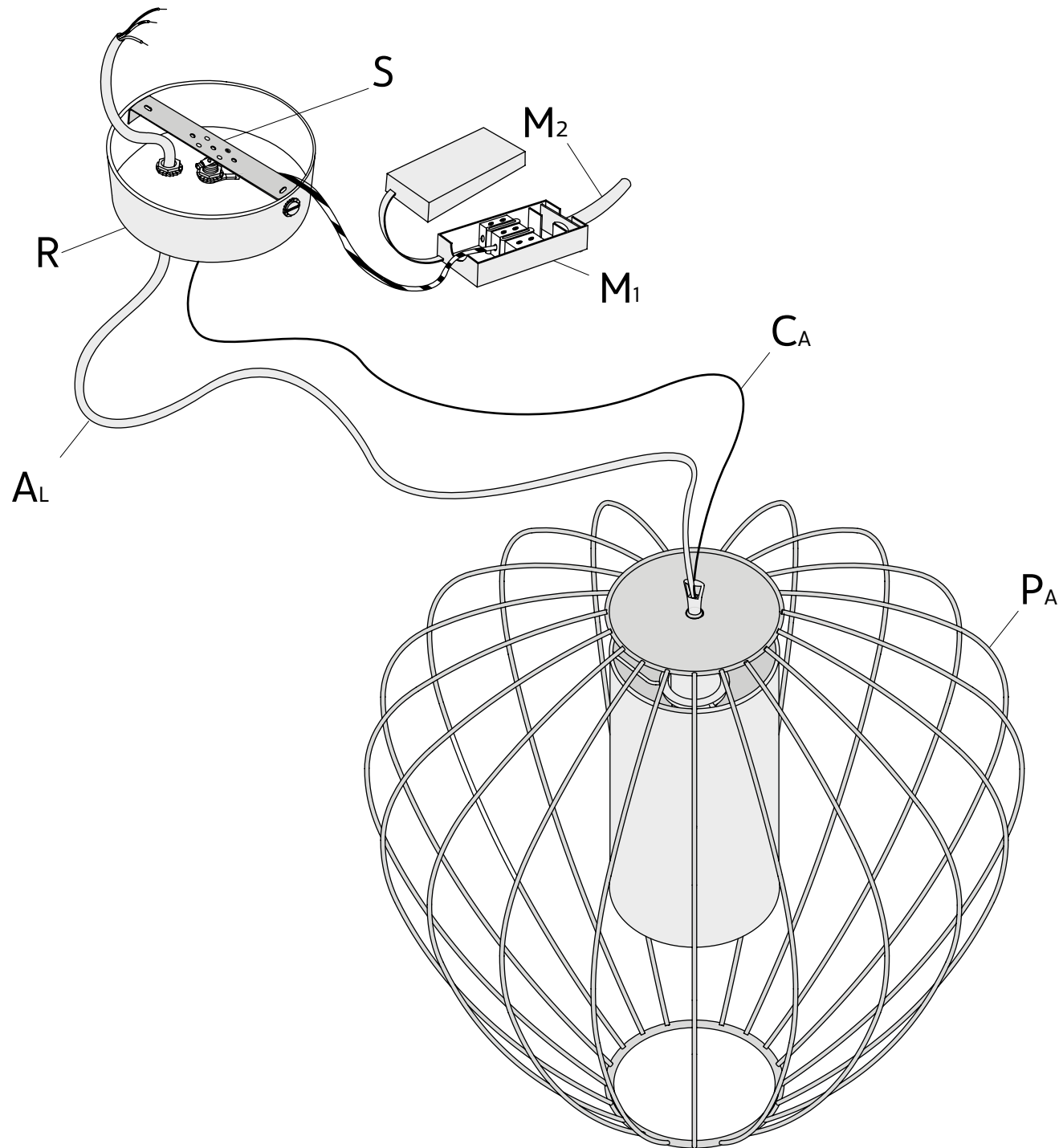
1 x max 42W - E27 (b)



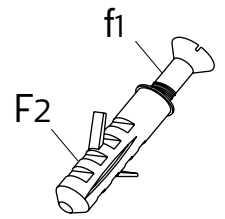
Karman srl

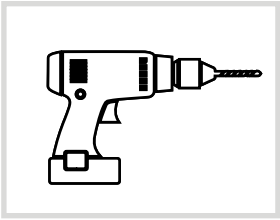
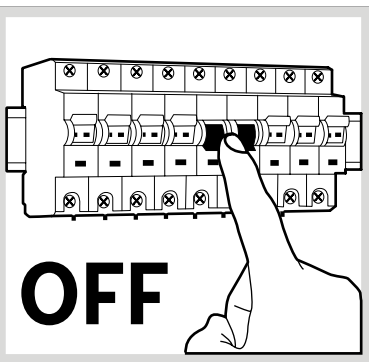
Via A. Grandi, San Martino del piano, 61034 Fossombrone (PU), Italy - p.iva 02175640412 tel +39 0721 71 5042 r.a fax +39 0721 716640 - www.karmanitalia.it

C - 01

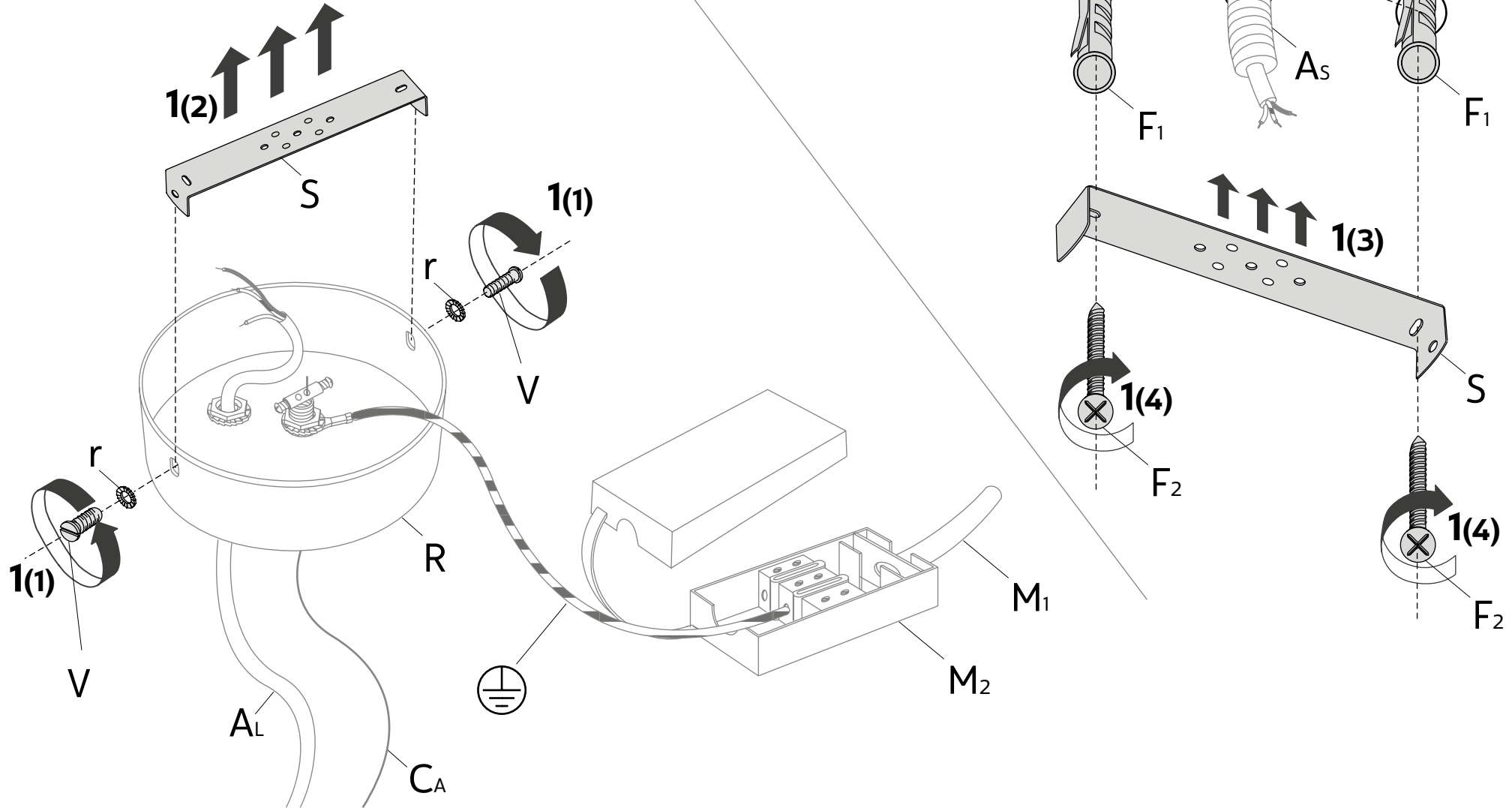


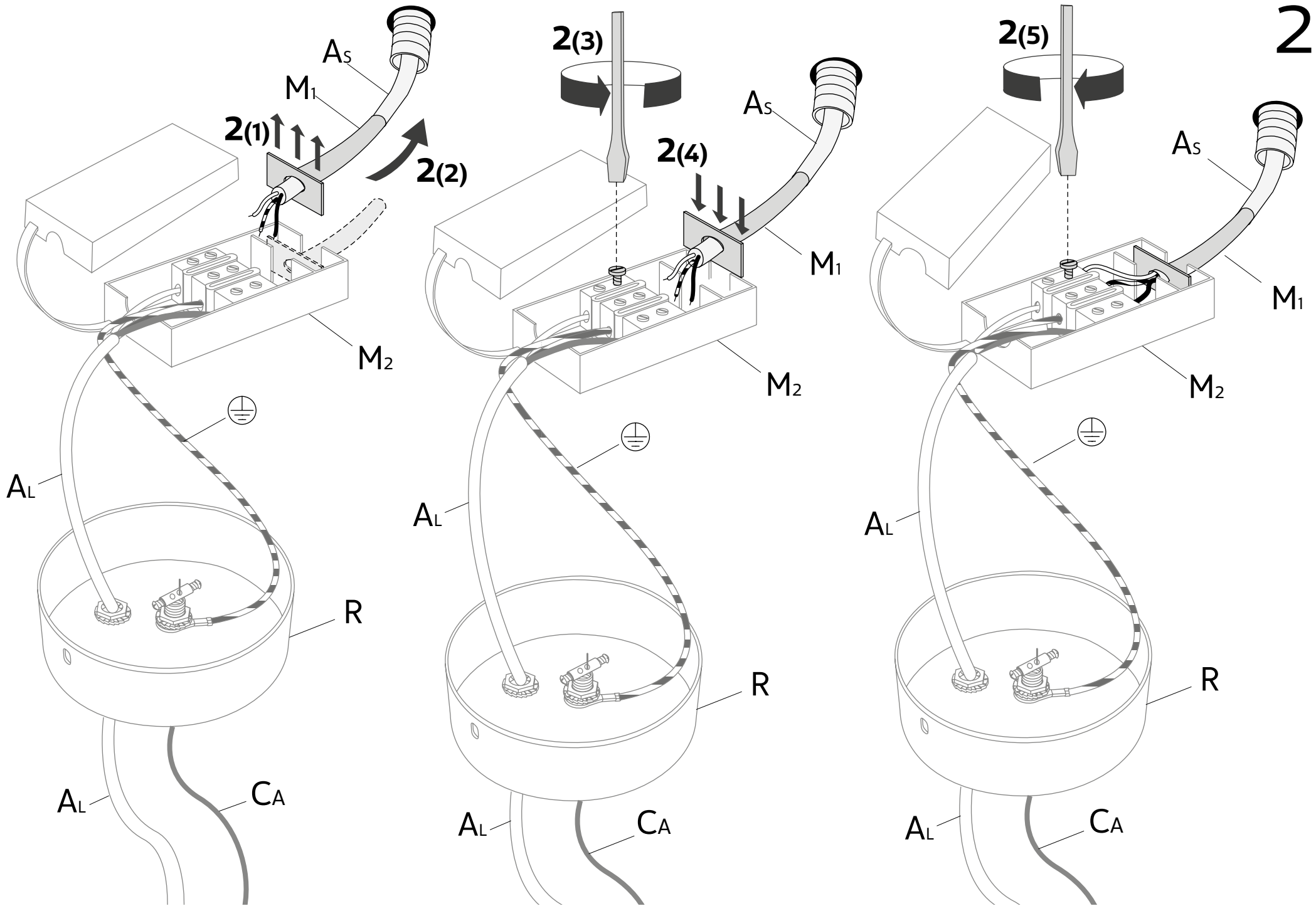
2x **F**

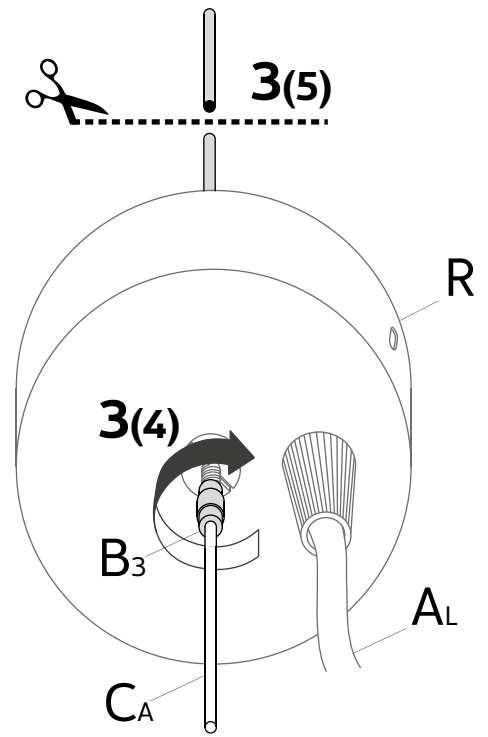
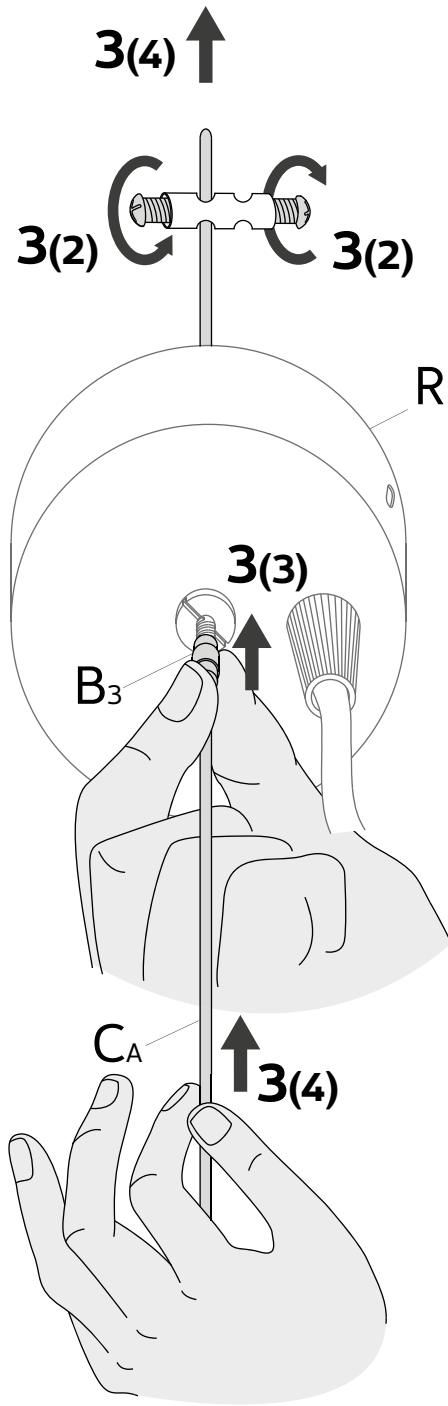
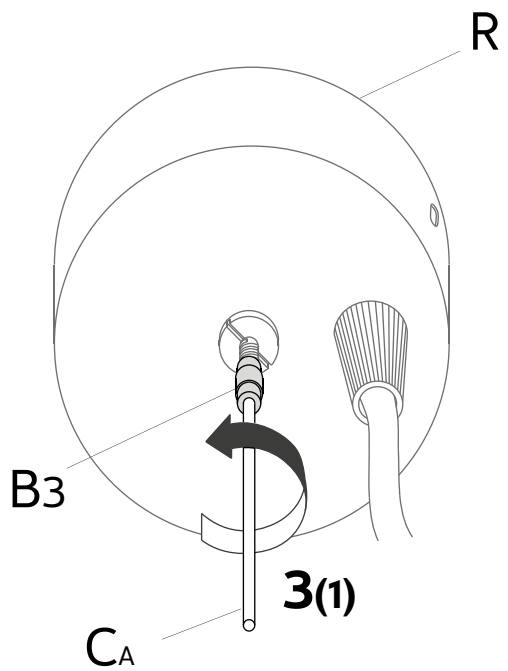
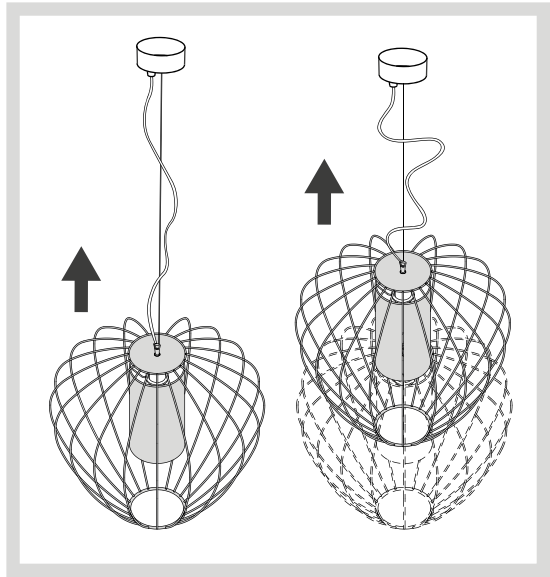




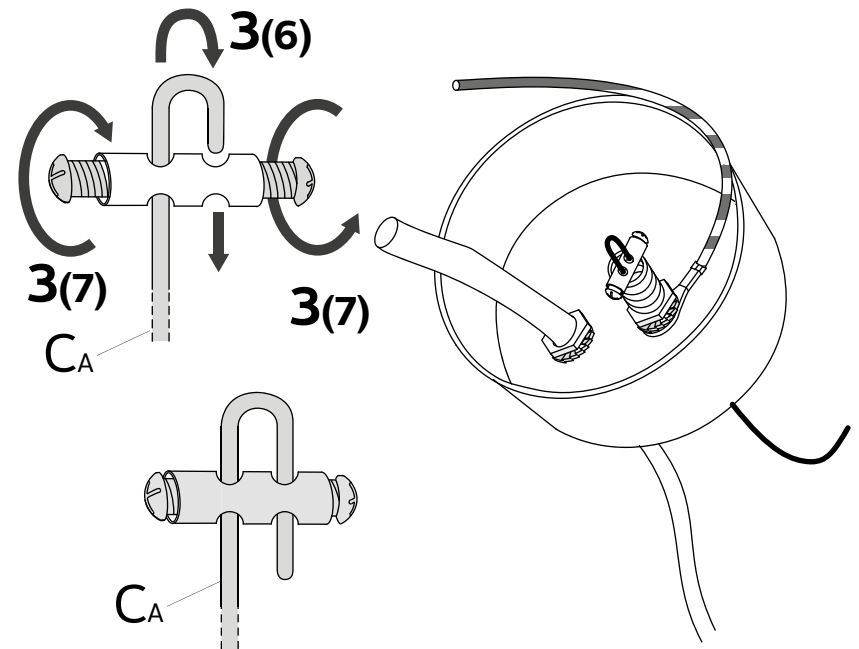
1

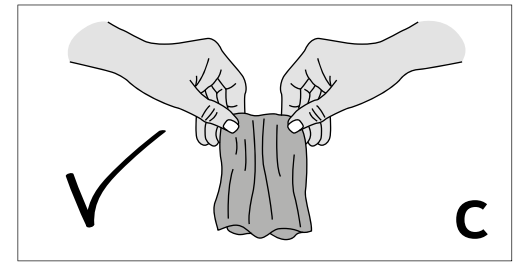
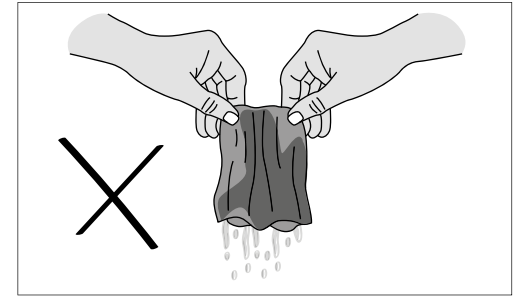
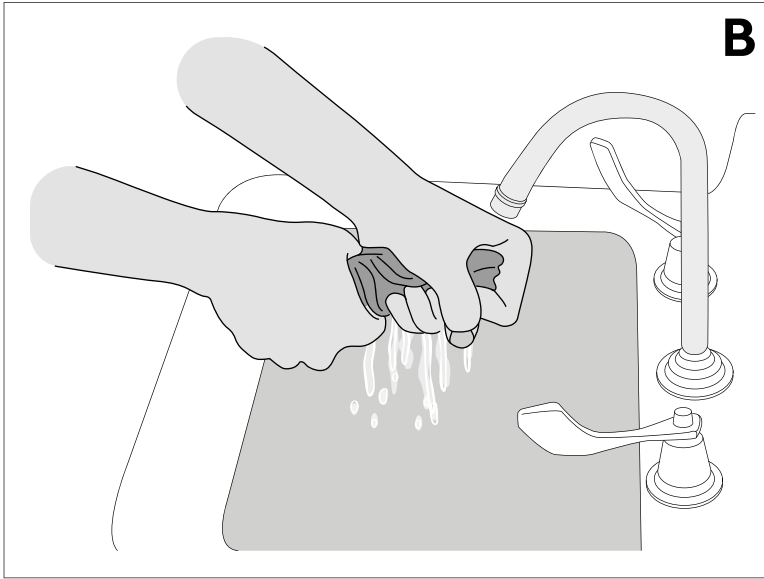






3





chemical agents

chemical agents

alcohol

