

# CELL



**SE612B (a)**

**SE613B (a)**

**SE614B (b)**

**SE615B (a)**

**SE612 AM INT (a)**

**SE613 BM INT (a)**

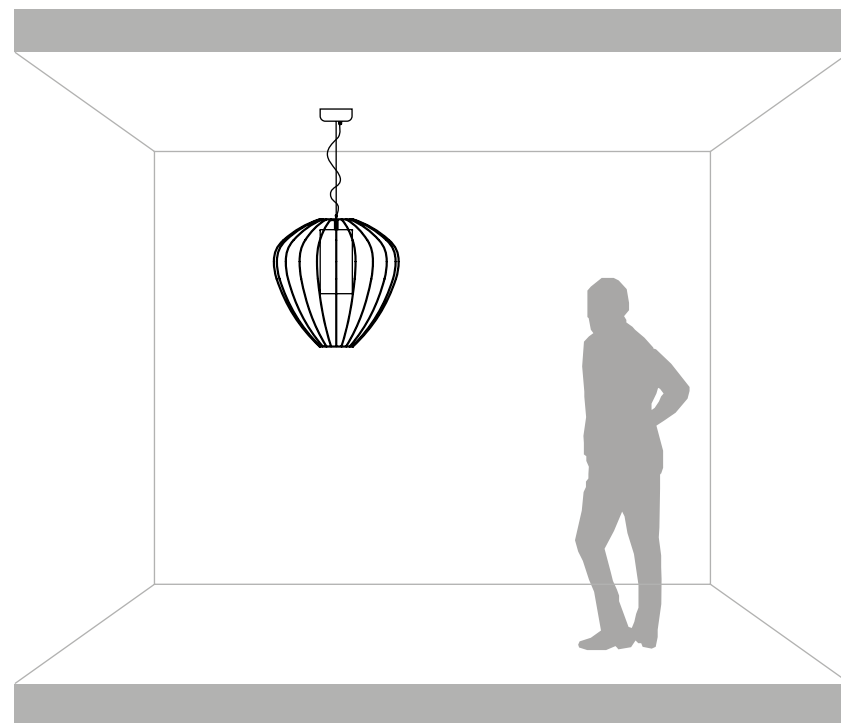
**SE614 CM INT (b)**

**SE615 DM INT (a)**

**220-240V**

**1 x max 52W - E27 (a)**

**1 x max 42W - E27 (b)**

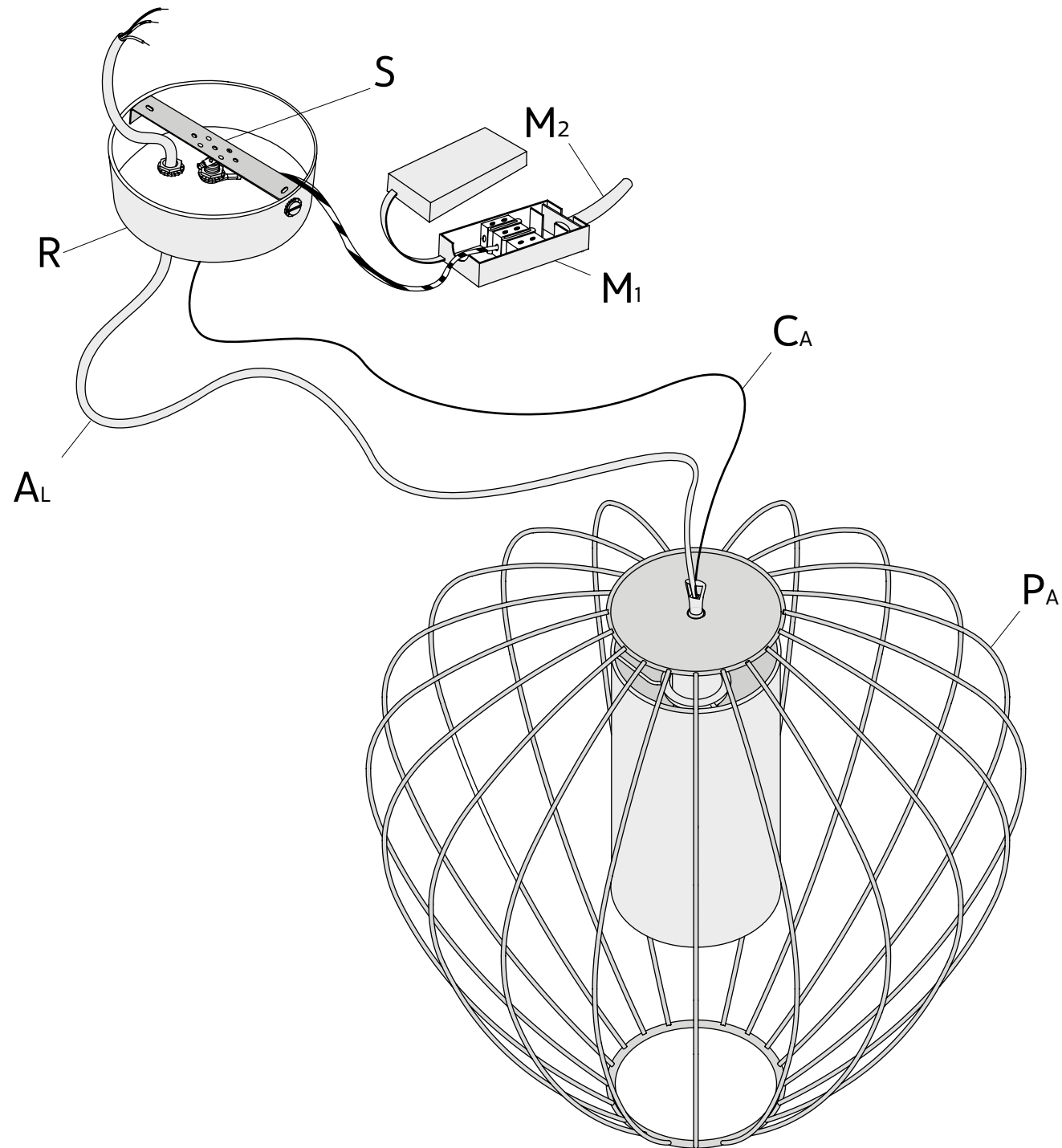


Karman srl

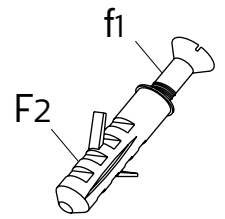
Via A. Grandi, San Martino del piano, 61034 Fossombrone (PU), Italy - p.iva 02175640412 tel +39 0721 71 5042 r.a fax +39 0721 716640 - [www.karmanitalia.it](http://www.karmanitalia.it)

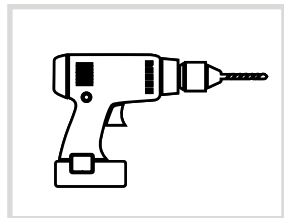
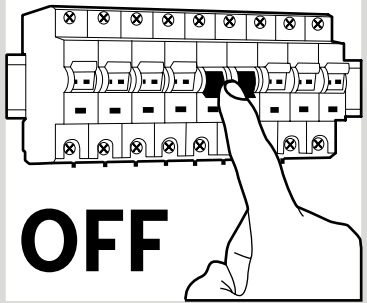


# C - 01

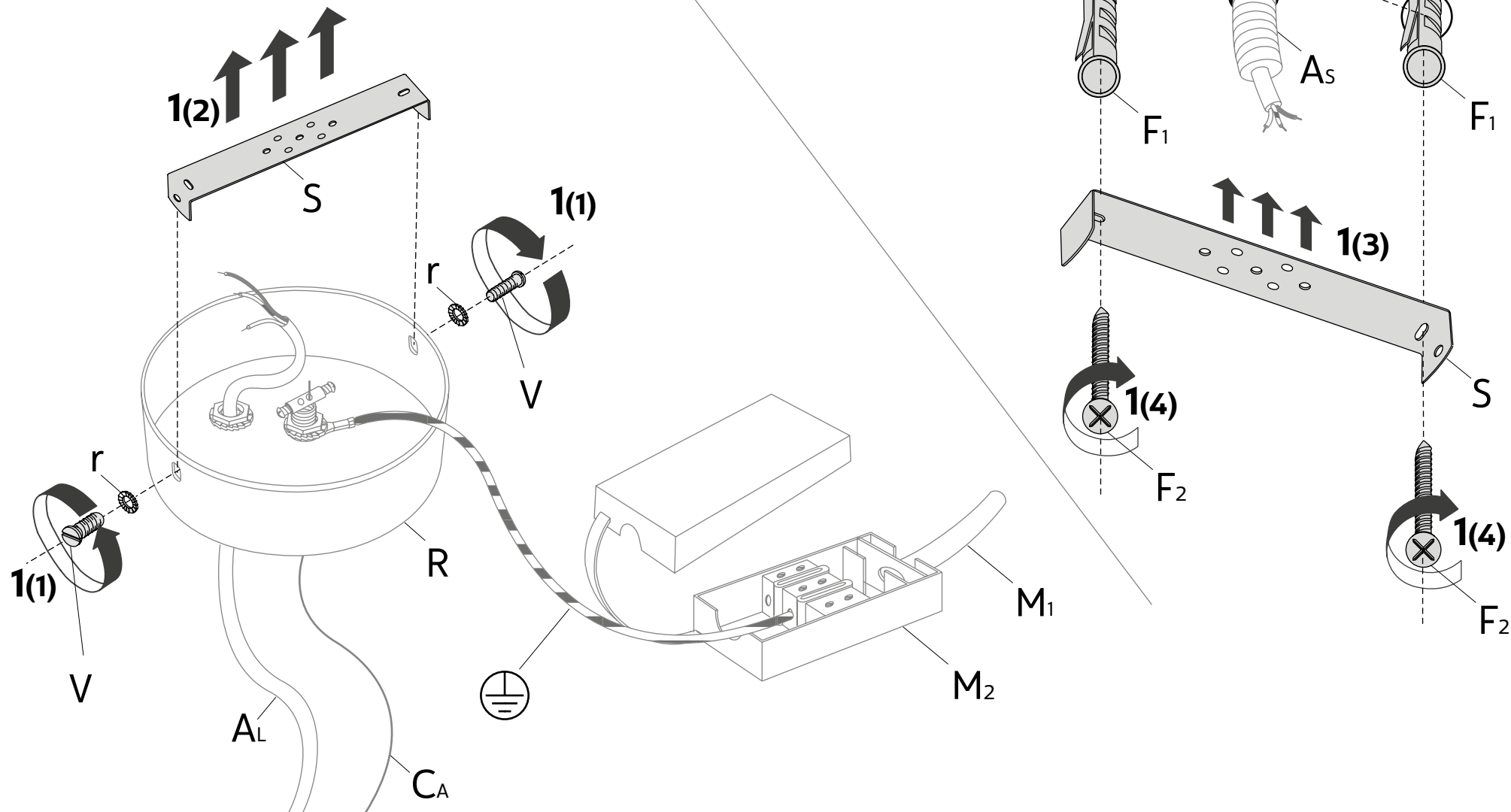


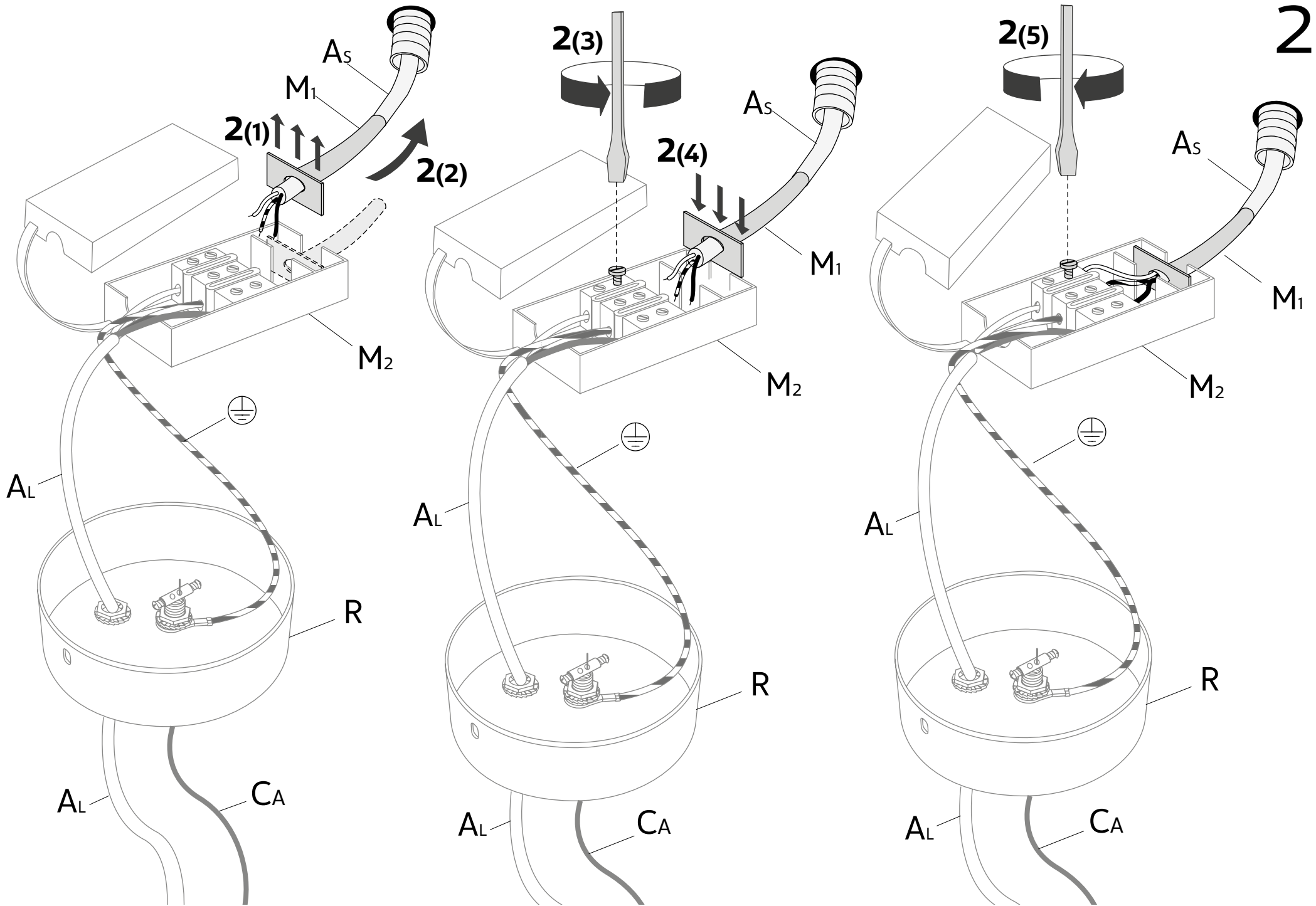
2x F



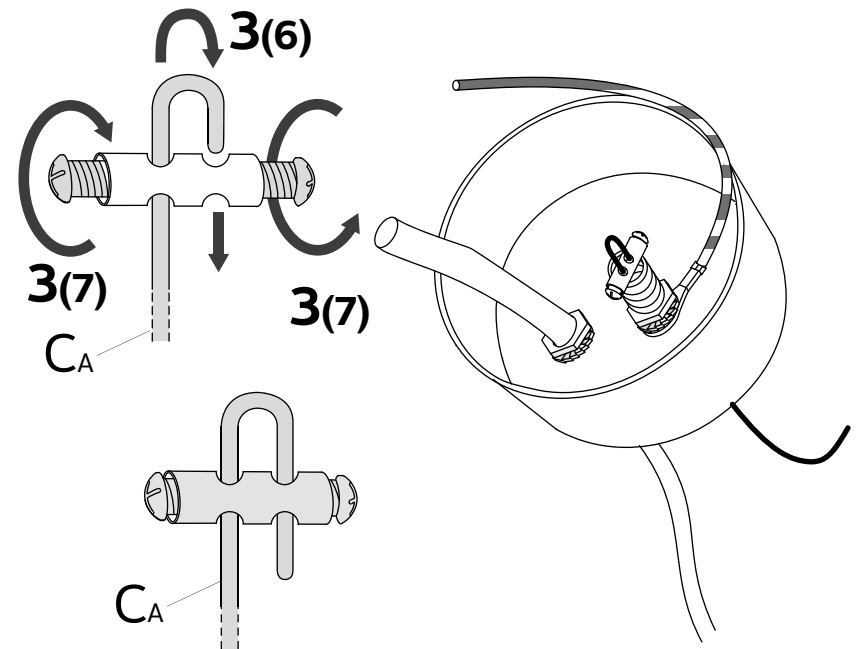
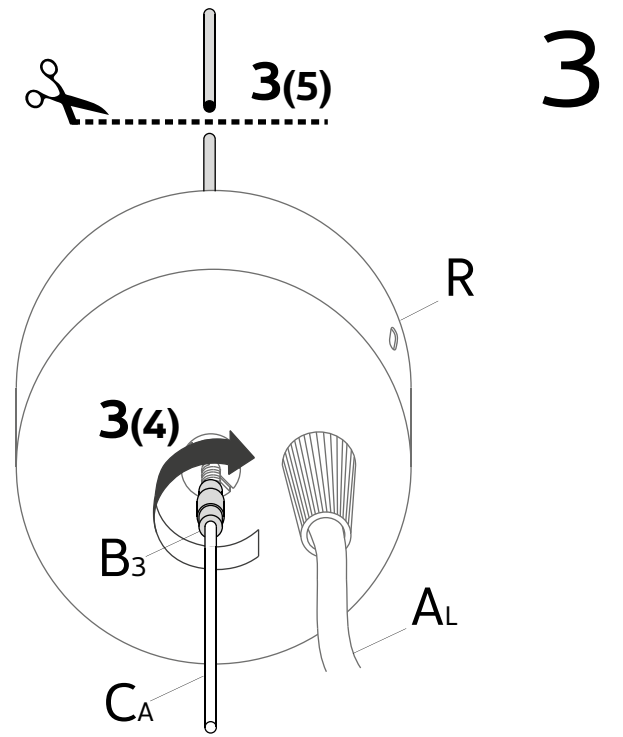
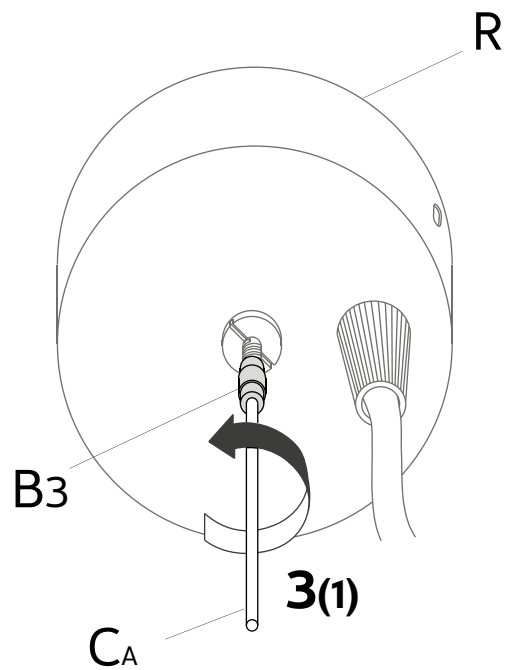
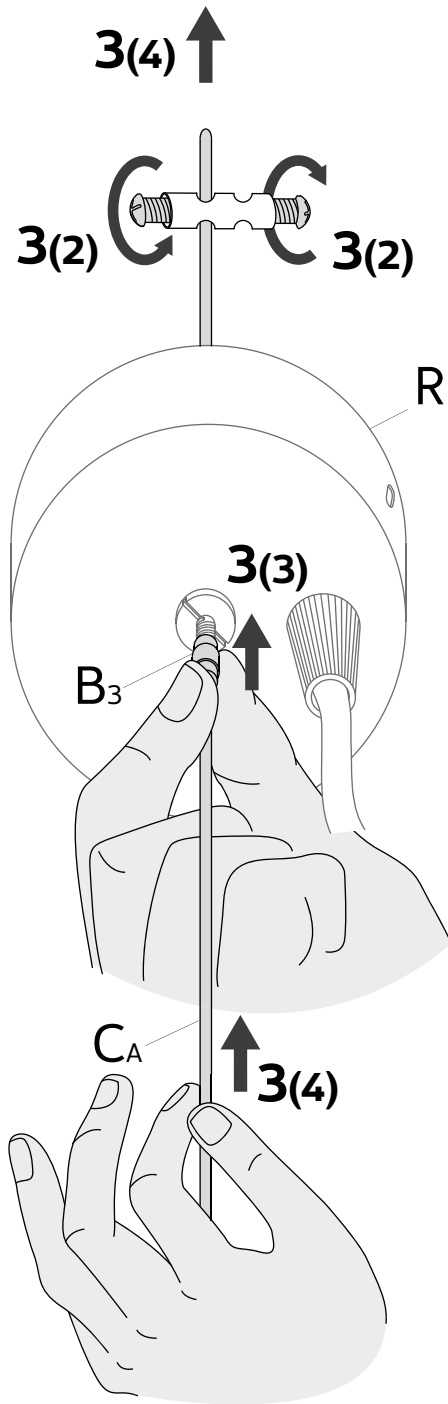
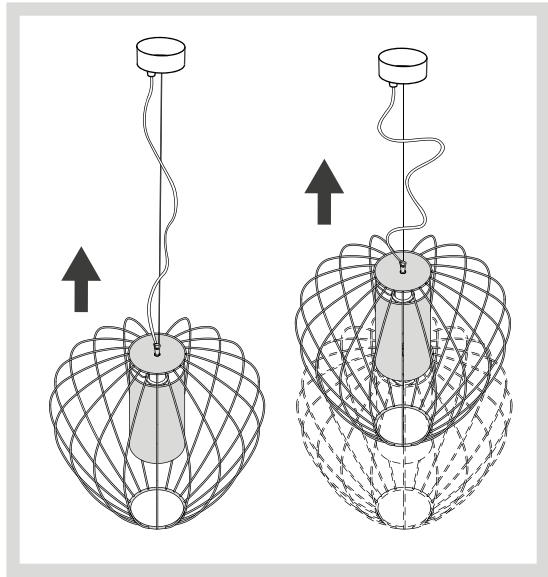


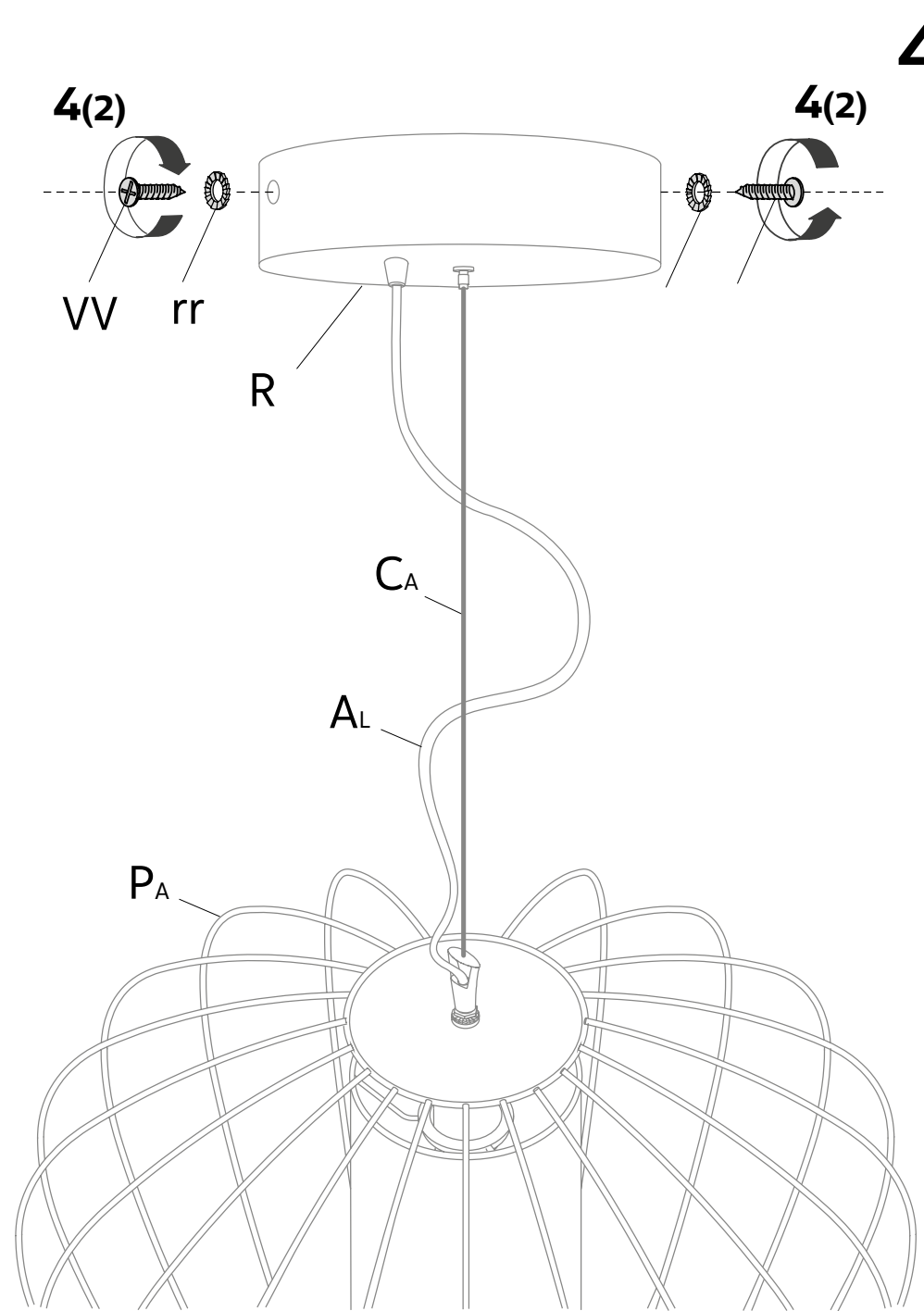
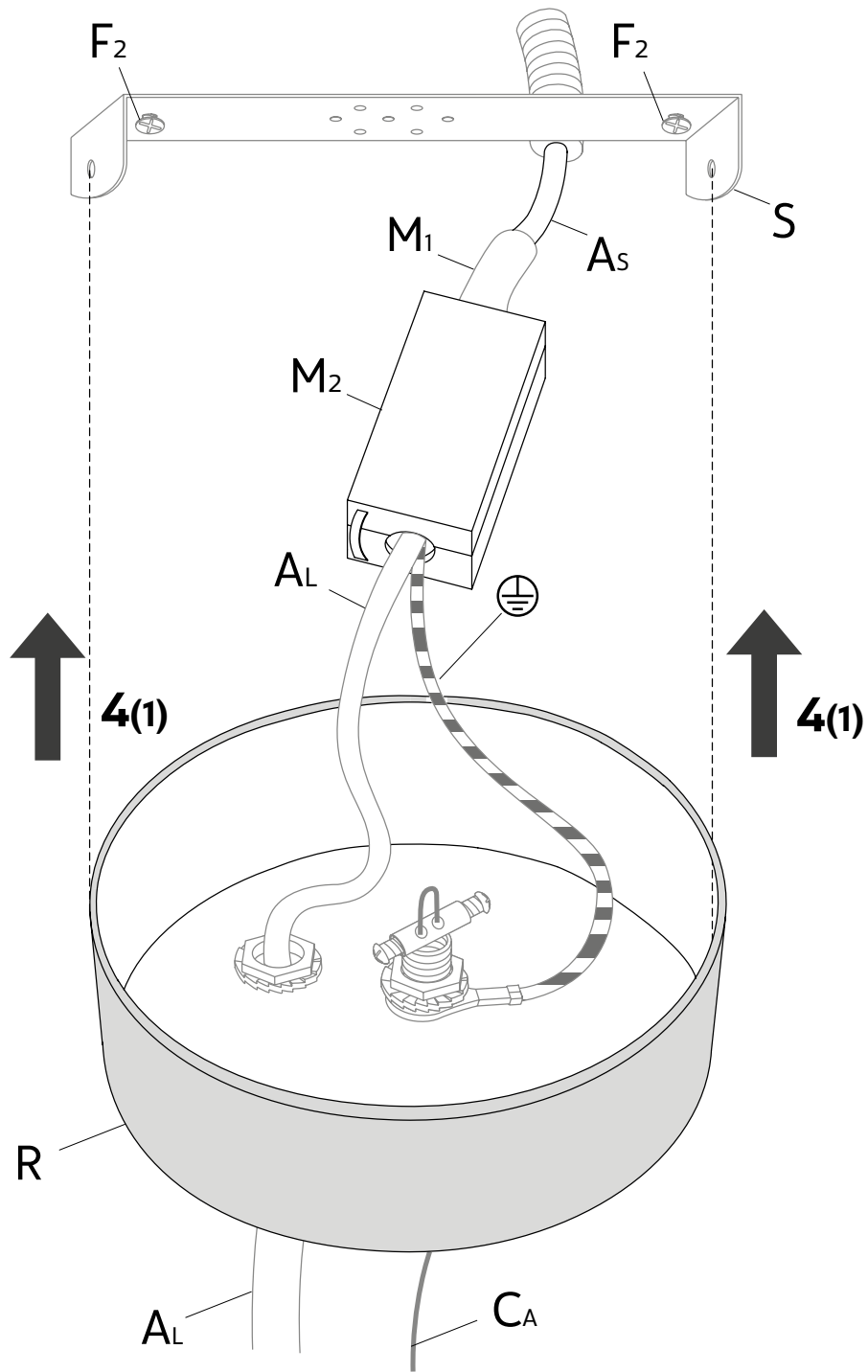
1

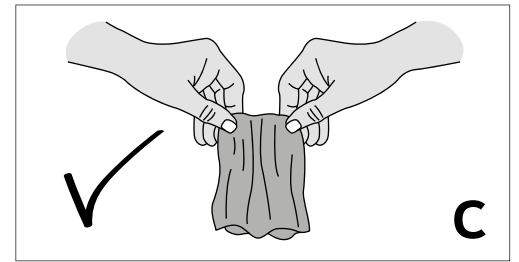
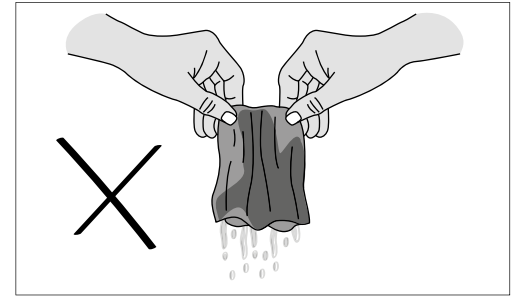
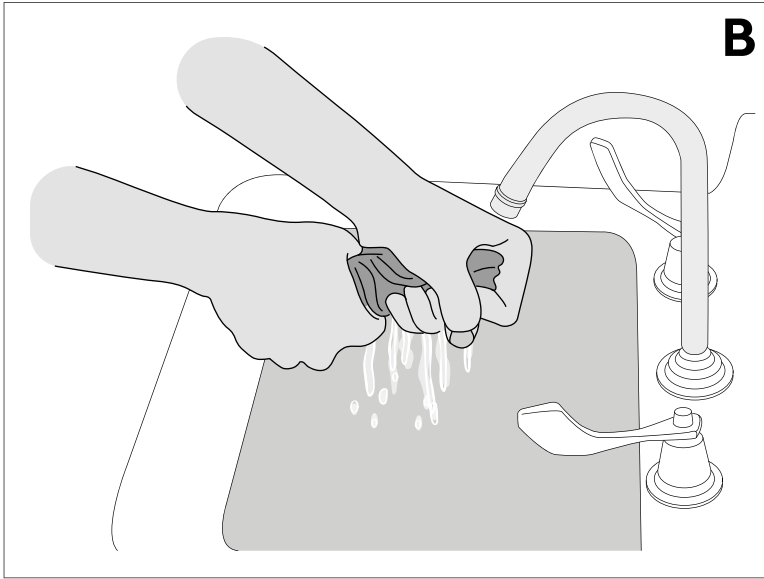












chemical agents

chemical agents

alcohol

