

# GIUSPINA wall lamp

Matteo Ugolini design

year 2019

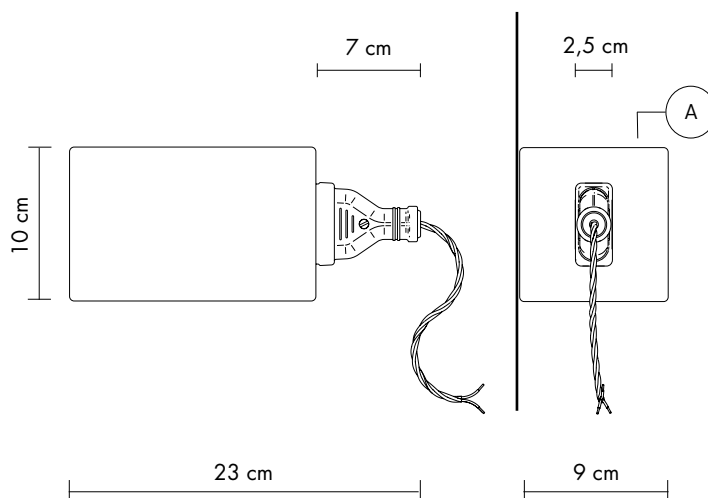
## DATA SHEET - AP187AA INT

### LAMP "A"

material	ceramic
colour	matt white brass

### ELECTRICAL SYSTEM

source	2x LED (tot. 1368lumen) top 5,25W, 684 lumen down 5,25W, 684 lumen 3000K CRI $\geq 80$ class A+
--------	---

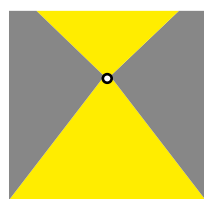


### PACKAGING

n° cartons	1
net weight/kg	1,1
gross weight/kg	1,6
packaging/cm	24x24x39

### LIGHT EMISSION

bidirectional



	direct
	filtered
	indirect
	absence

### COMPLIANT WITH

IEC	60598-1:2014
EN	60598-1:2015



degree of protection	IP20
LED	equipped

