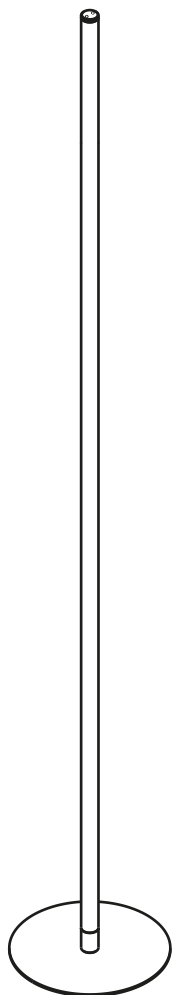
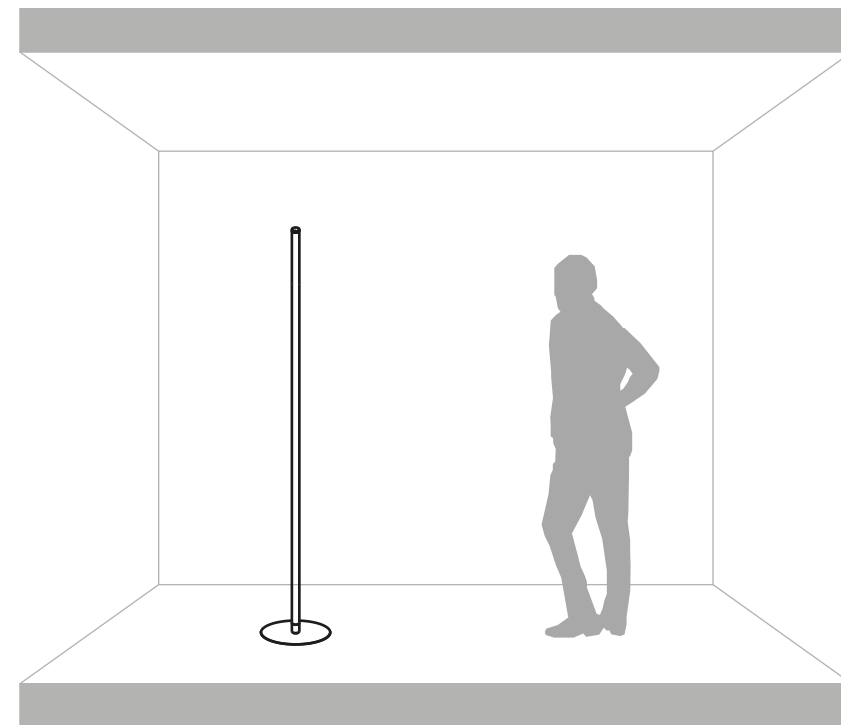


# accipicchio



HP213N1 INT - 3000K  
HP213N2 INT - 2700K



**Karman srl**

Via A. Grandi, San Martino del piano, 61034 Fossombrone (PU), Italy  
p.iva 02175640412 tel +39 0721 71 5042 r.a fax +39 0721 716640 - [www.karmanitalia.it](http://www.karmanitalia.it)

# KARMAN

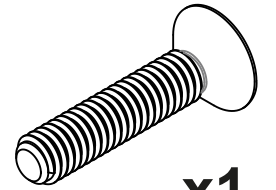
24 Vdc  
strip led 60W



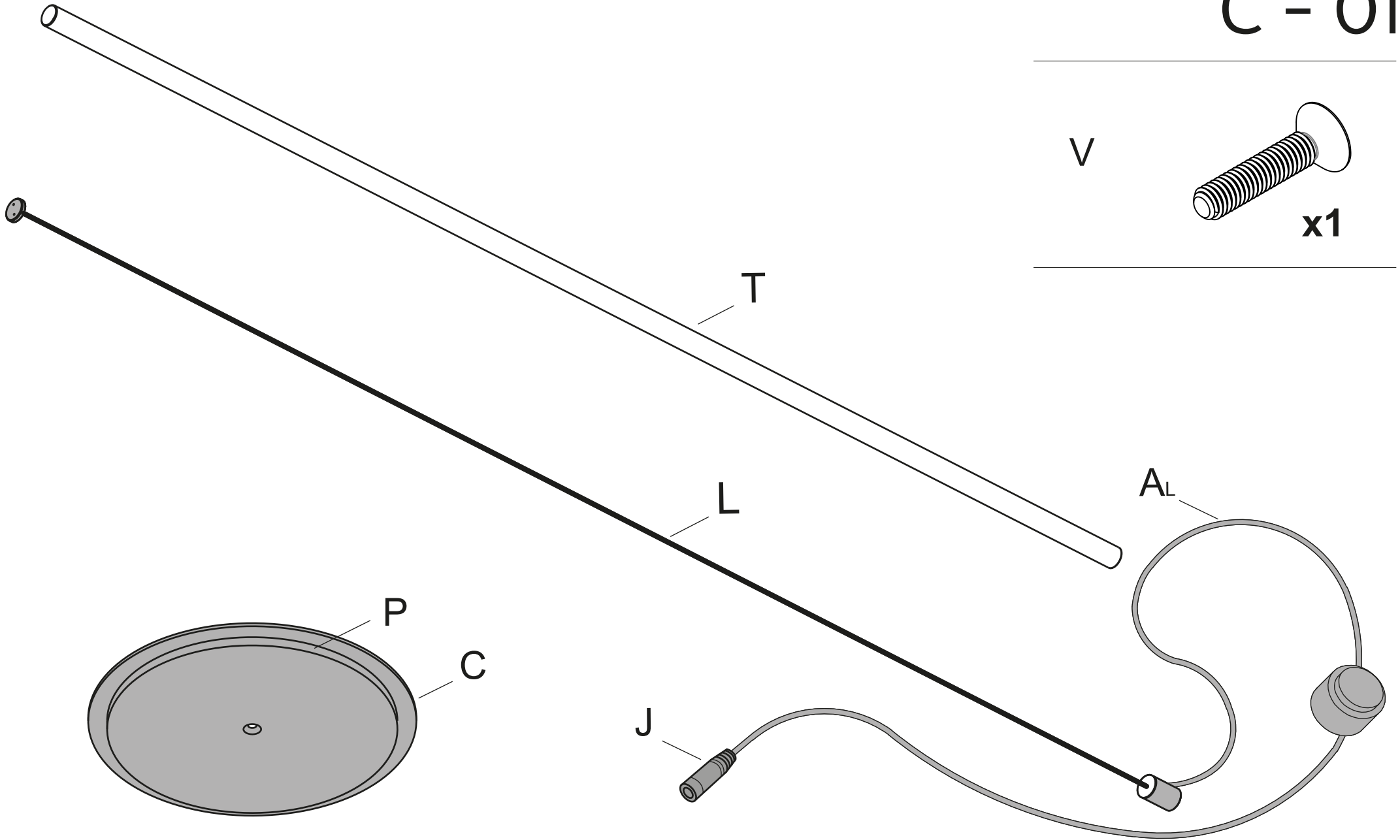


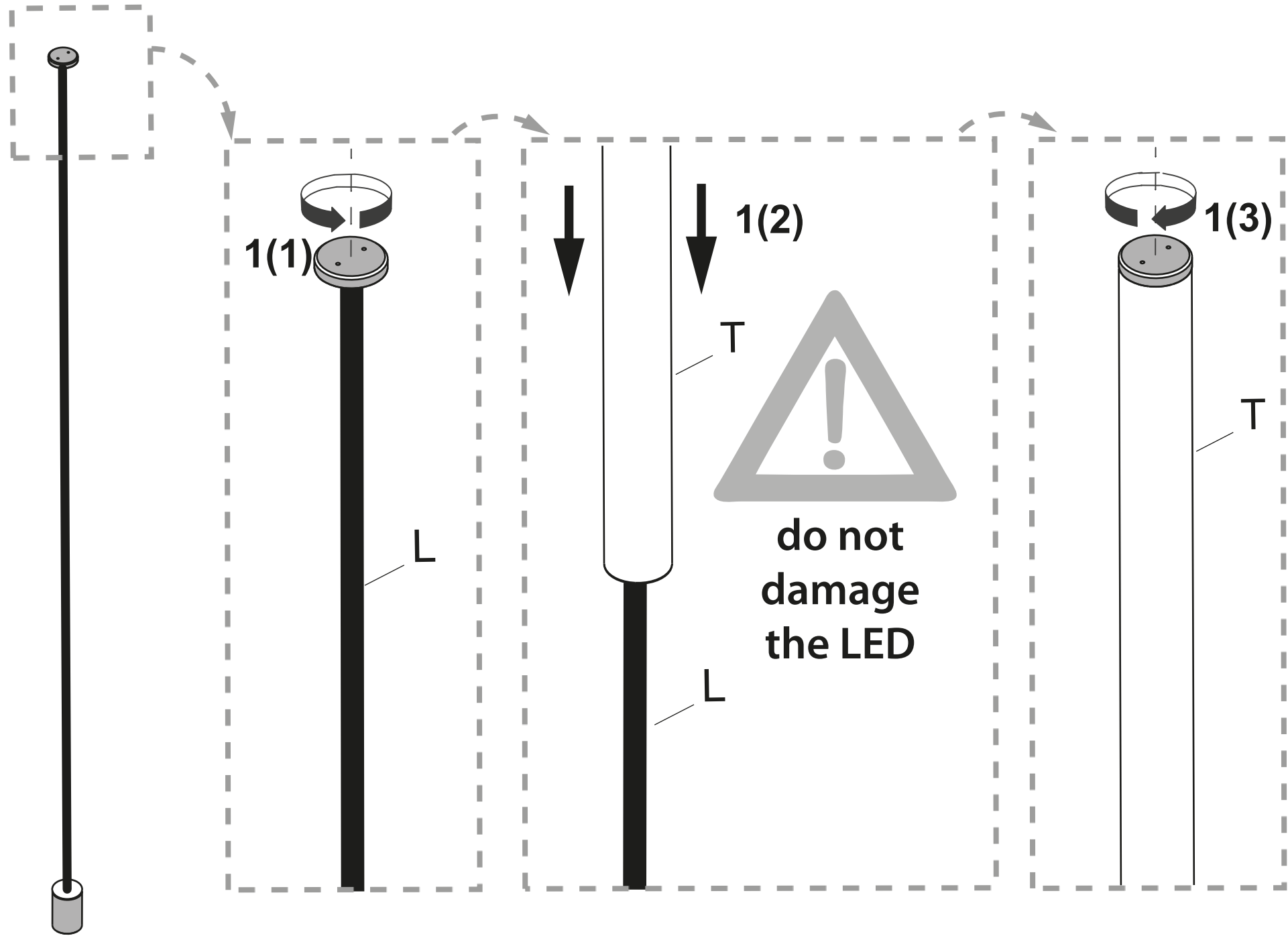
C - 01

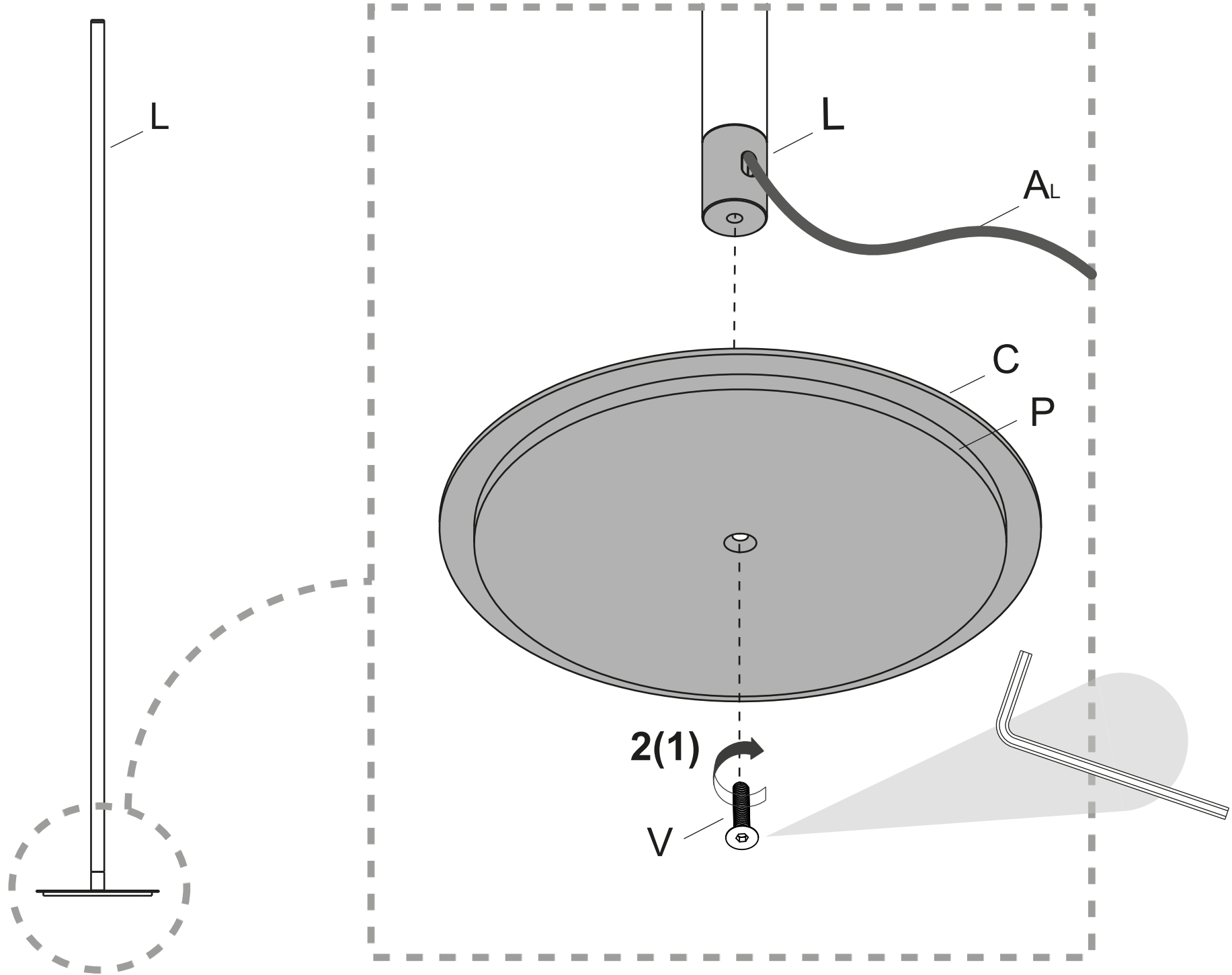
V

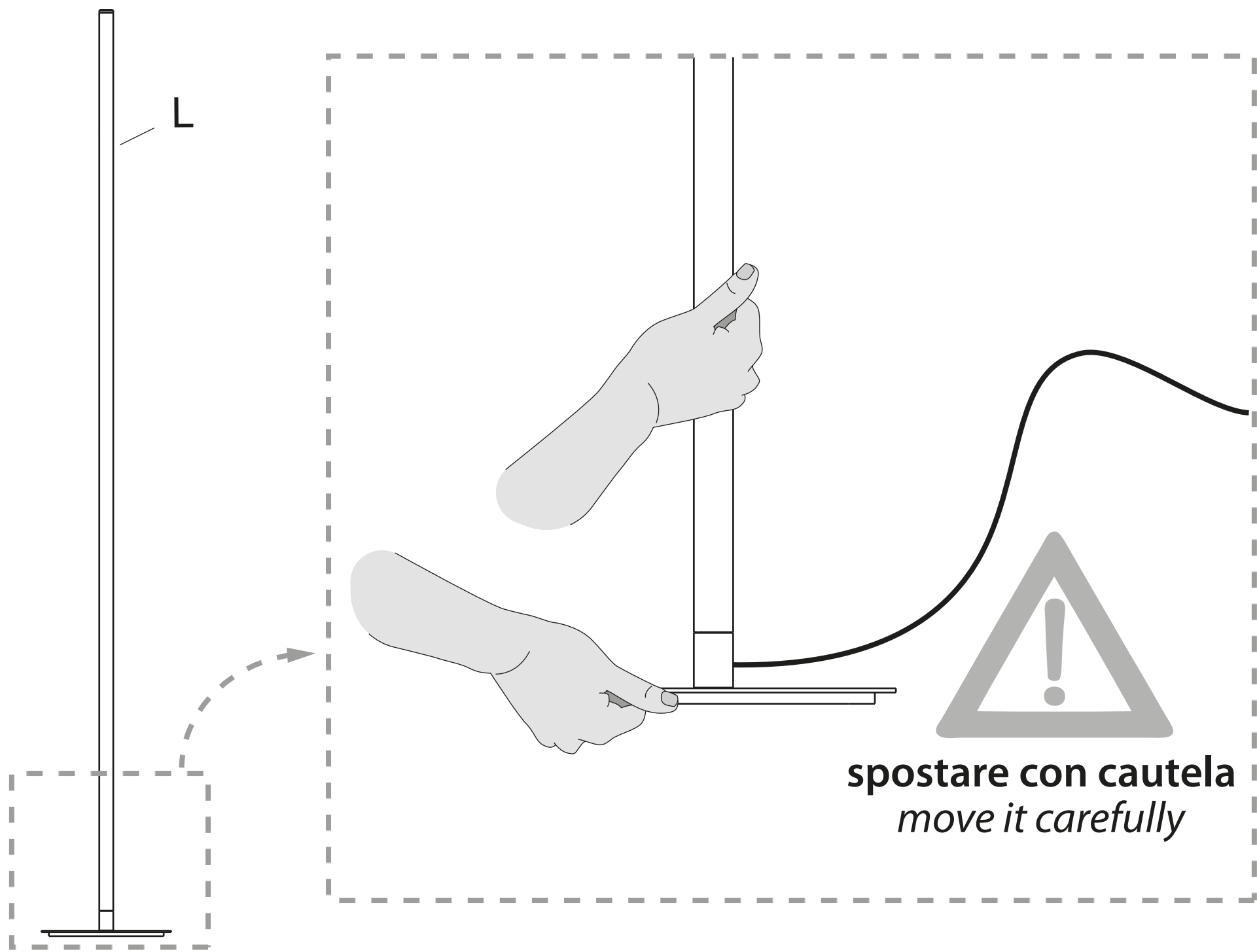


x1

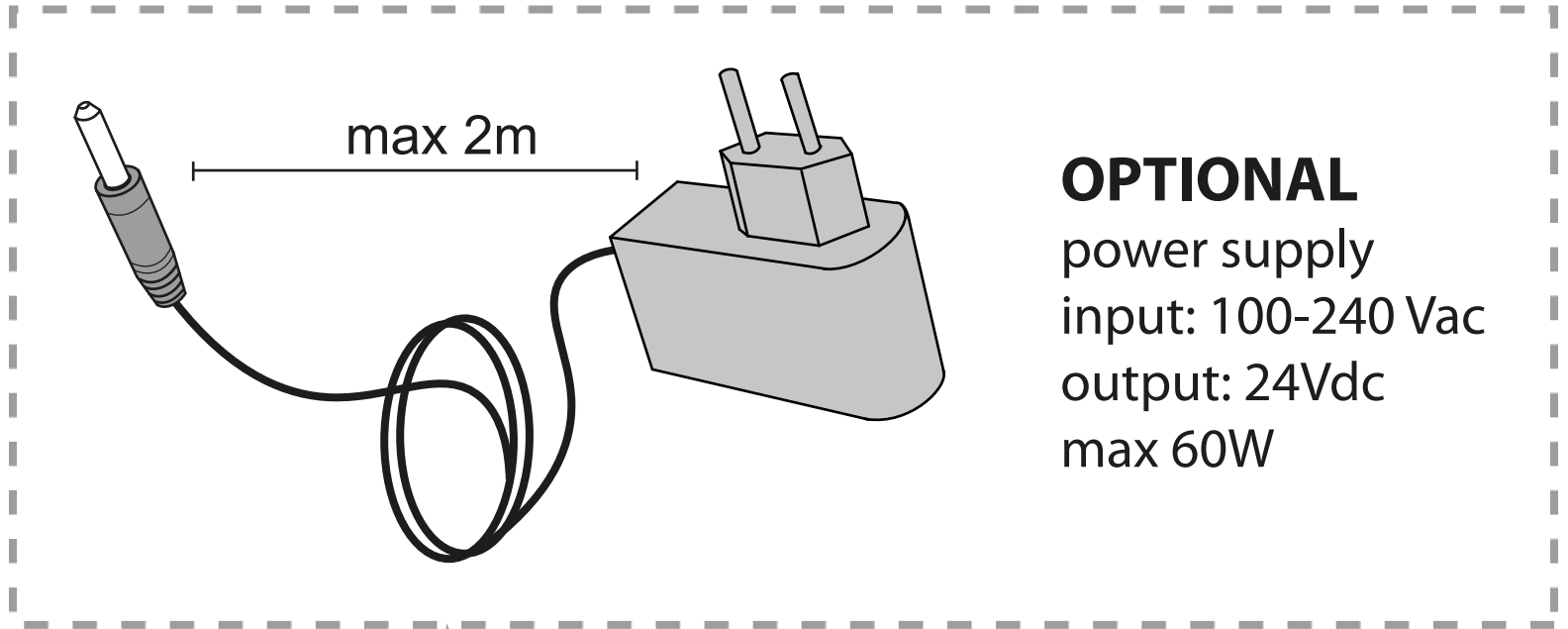
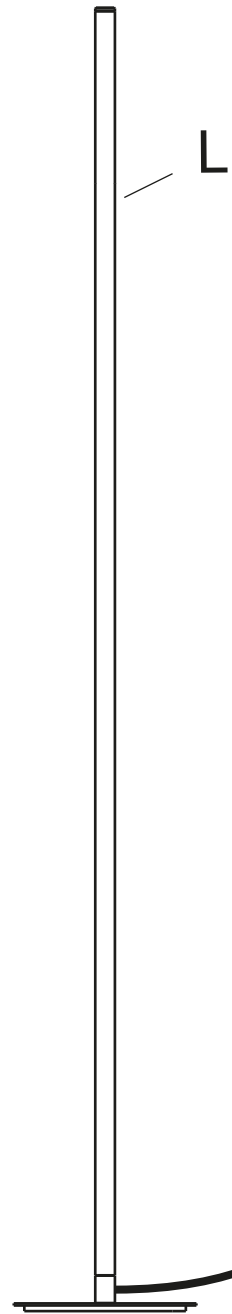








**spostare con cautela**  
*move it carefully*



**OPTIONAL**  
power supply  
input: 100-240 Vac  
output: 24Vdc  
max 60W

