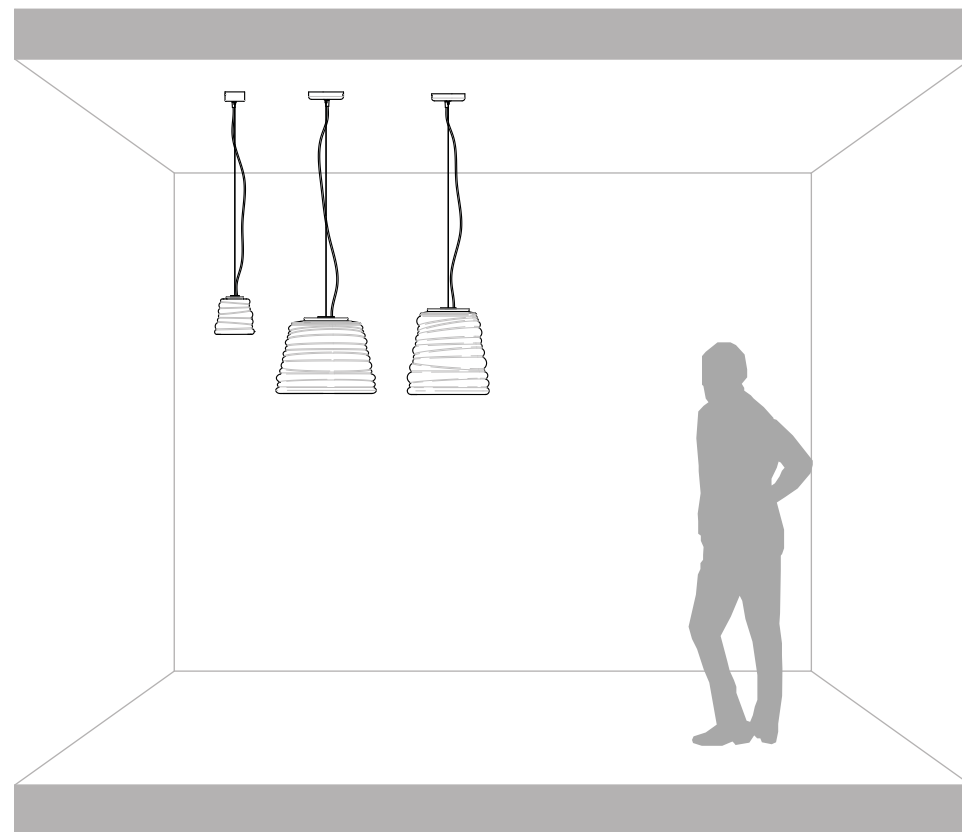
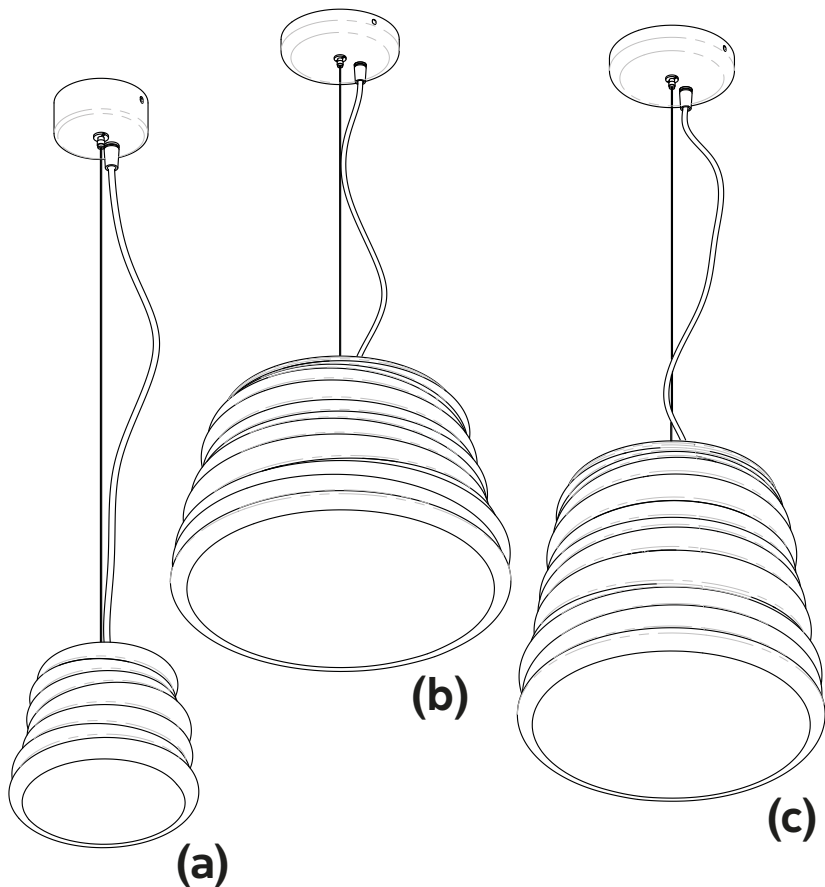


Bibendum

(a) SE198 AT
SE198 AD

(b) SE198 BT
SE198 BD

(c) SE198 CT
SE198 CD



Karman srl

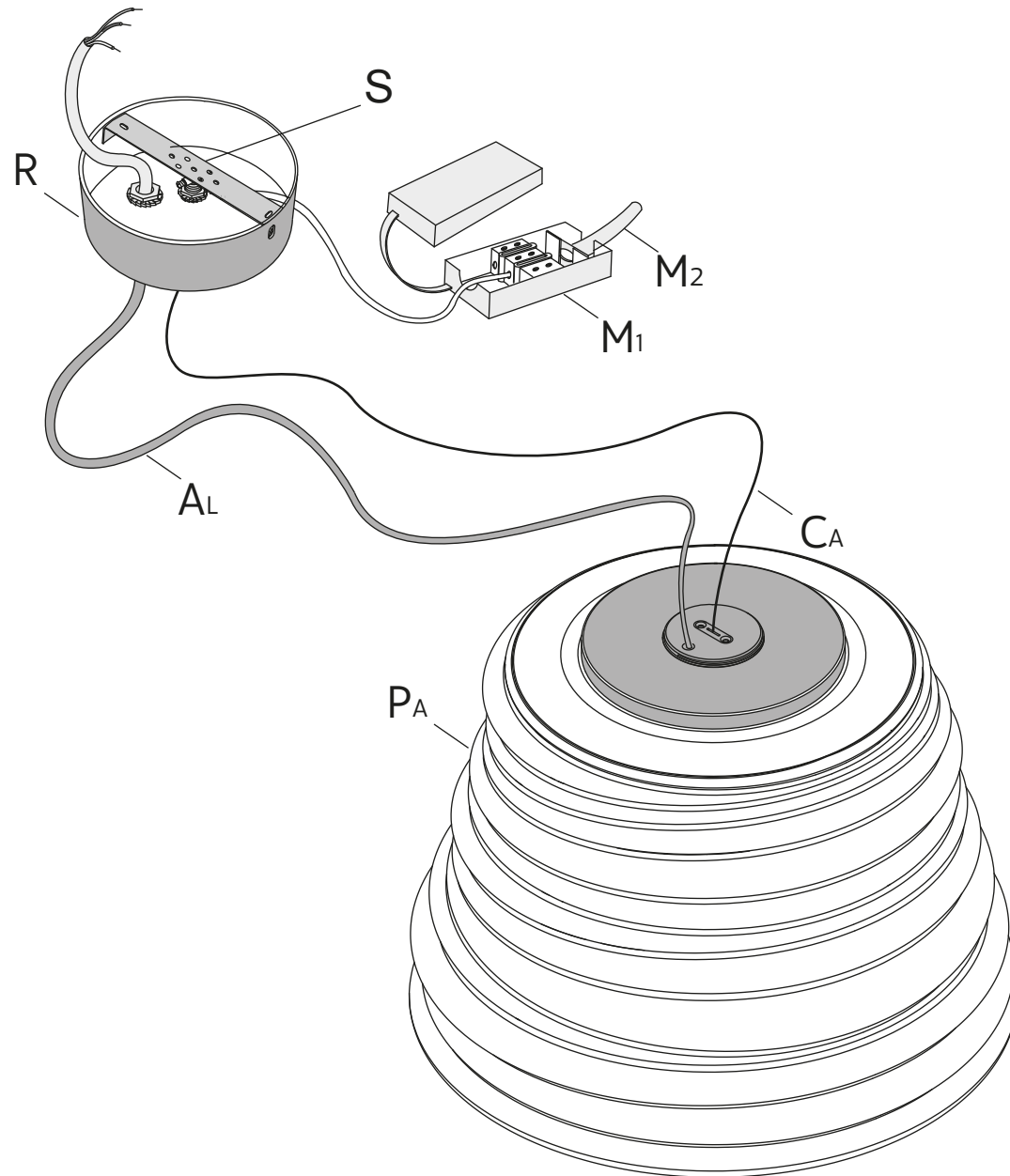
Via A. Grandi, San Martino del piano, 61034 Fossombrone (PU), Italy
p.iva 02175640412 tel +39 0721 71 5042 r.a fax +39 0721 716640 - www.karmanitalia.it

KARMAN

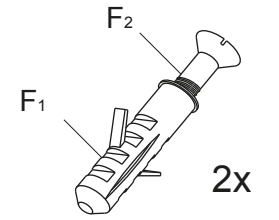
220-240 V.
scheda led 5W (a)
scheda led 17W (b/c)

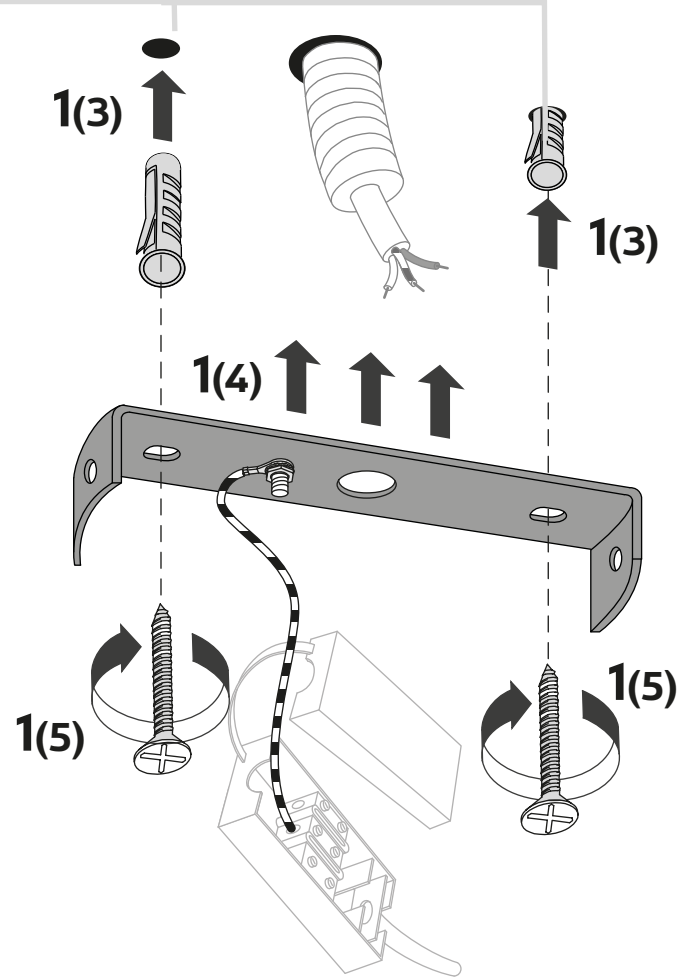
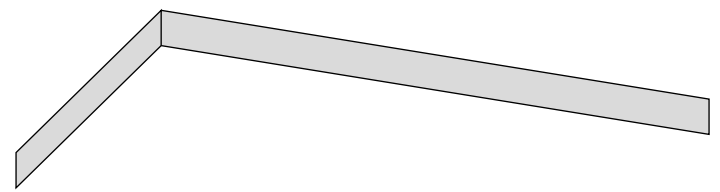
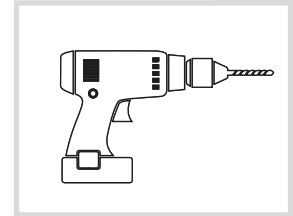
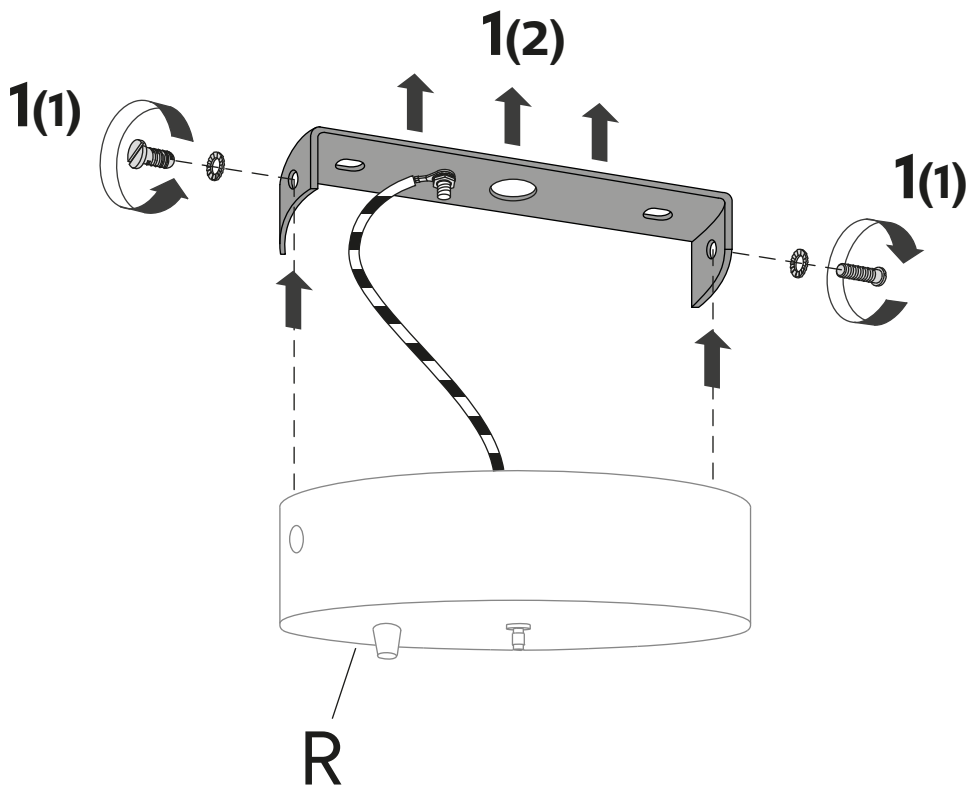
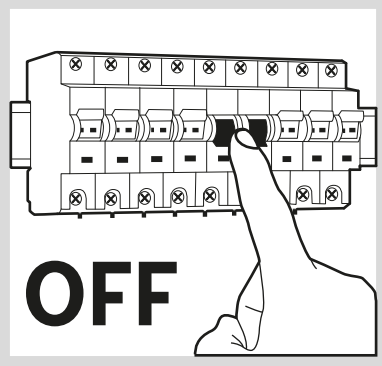


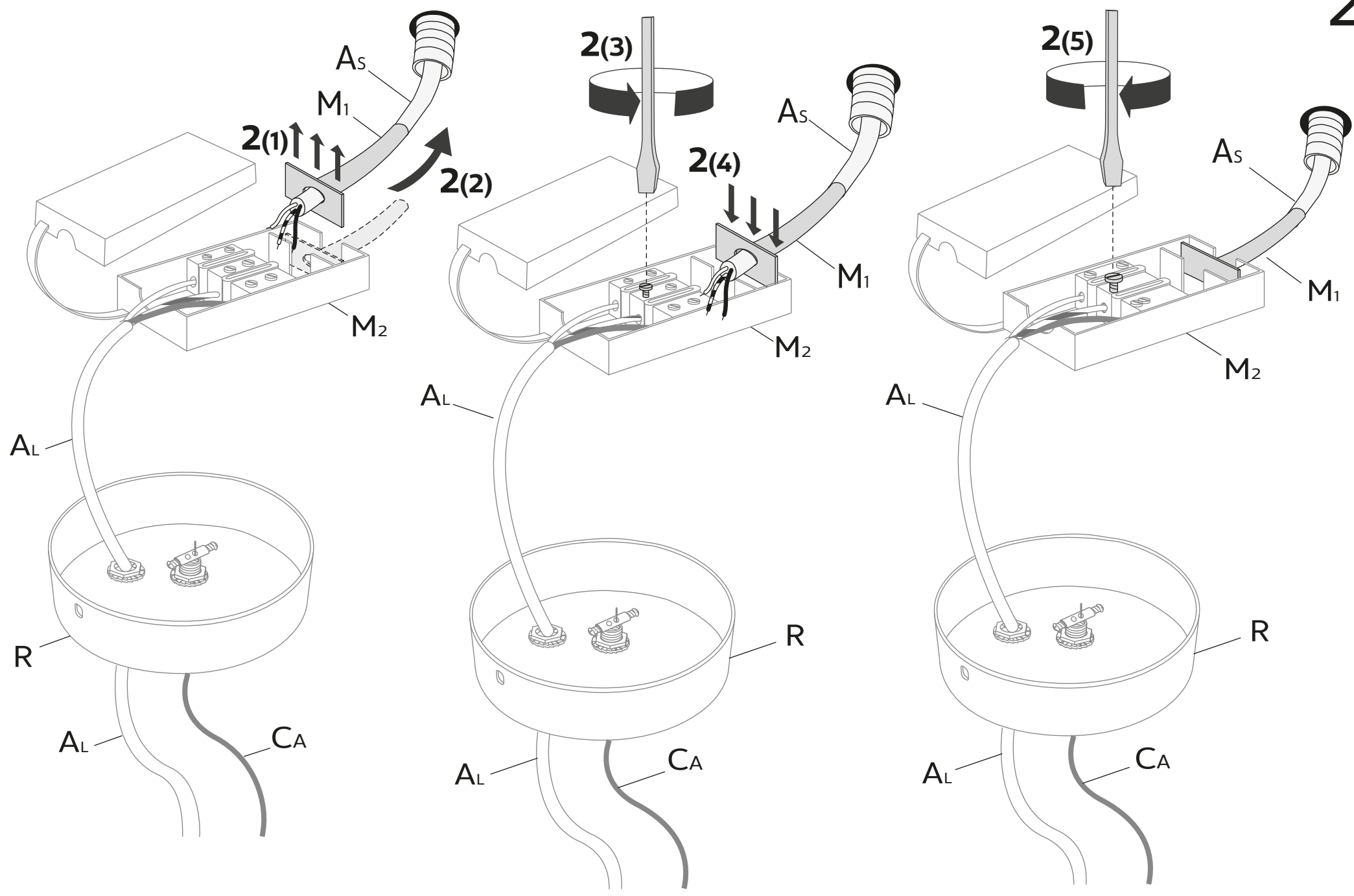
C - 01

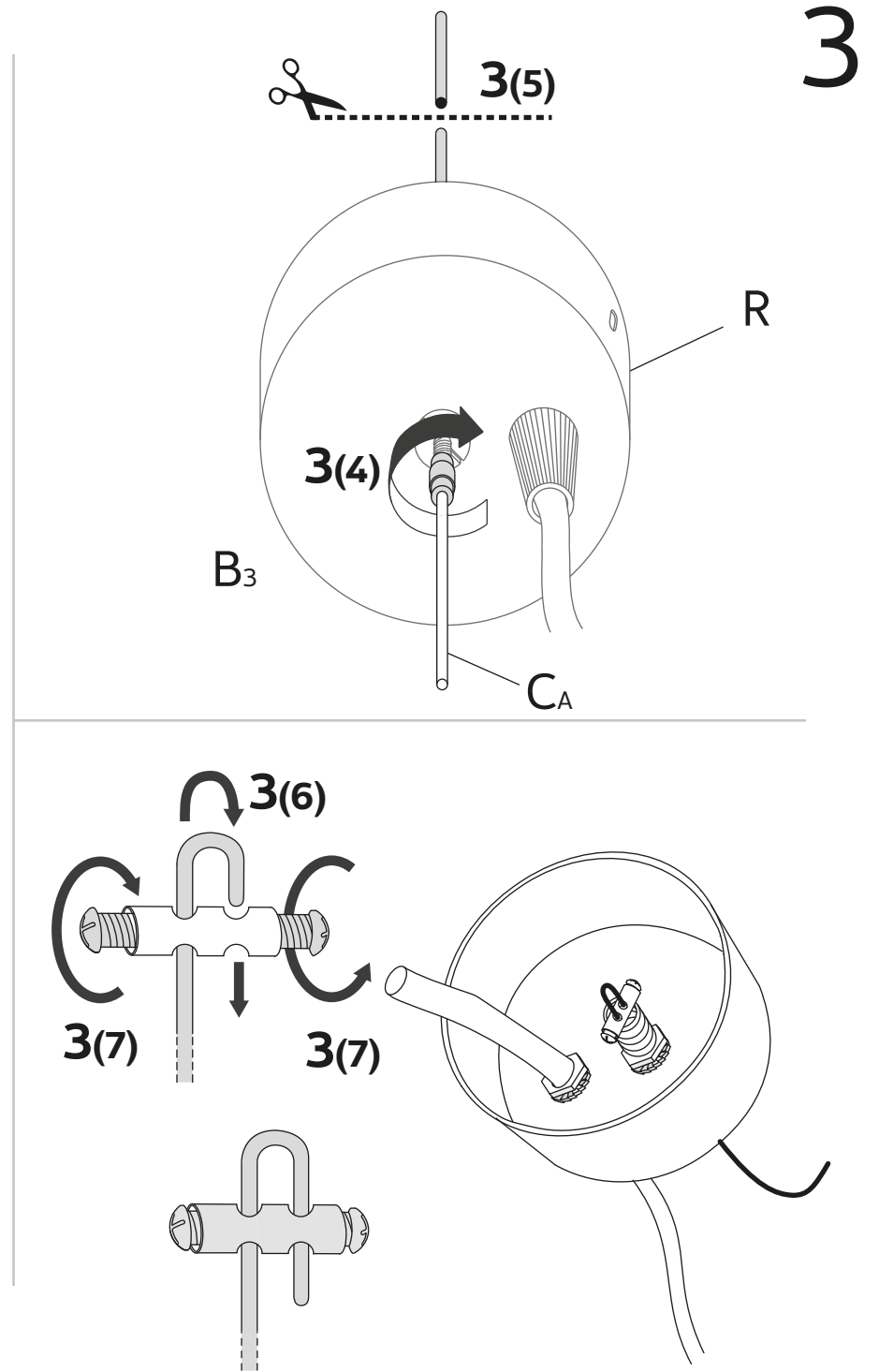
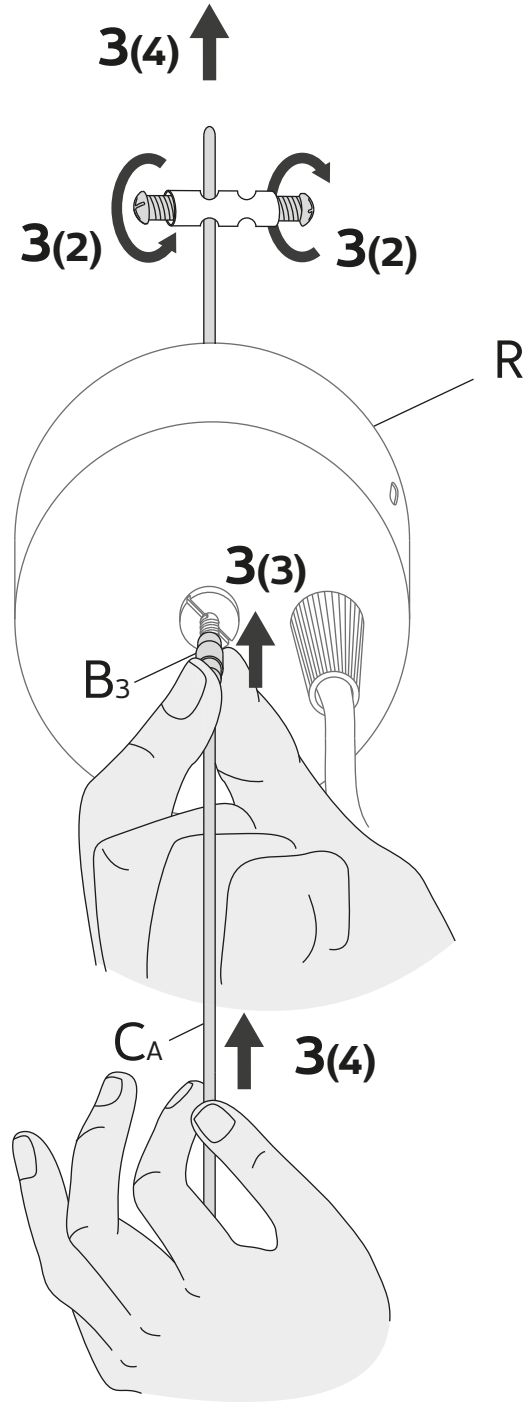
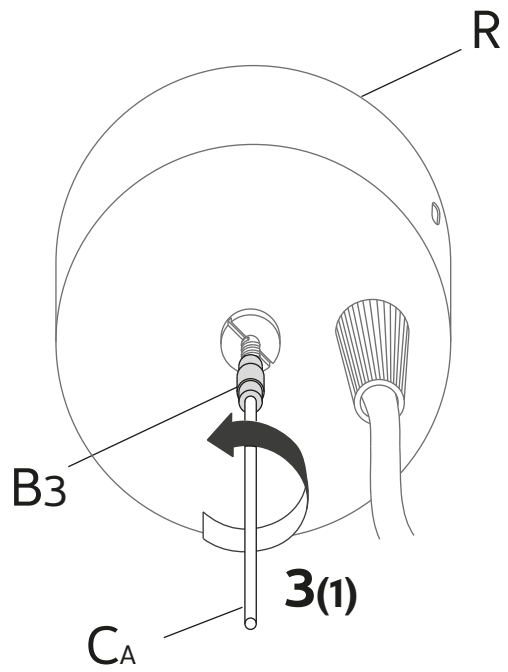
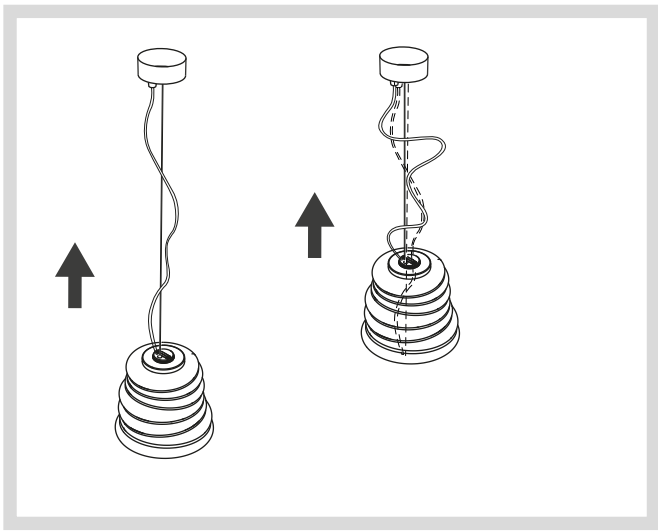


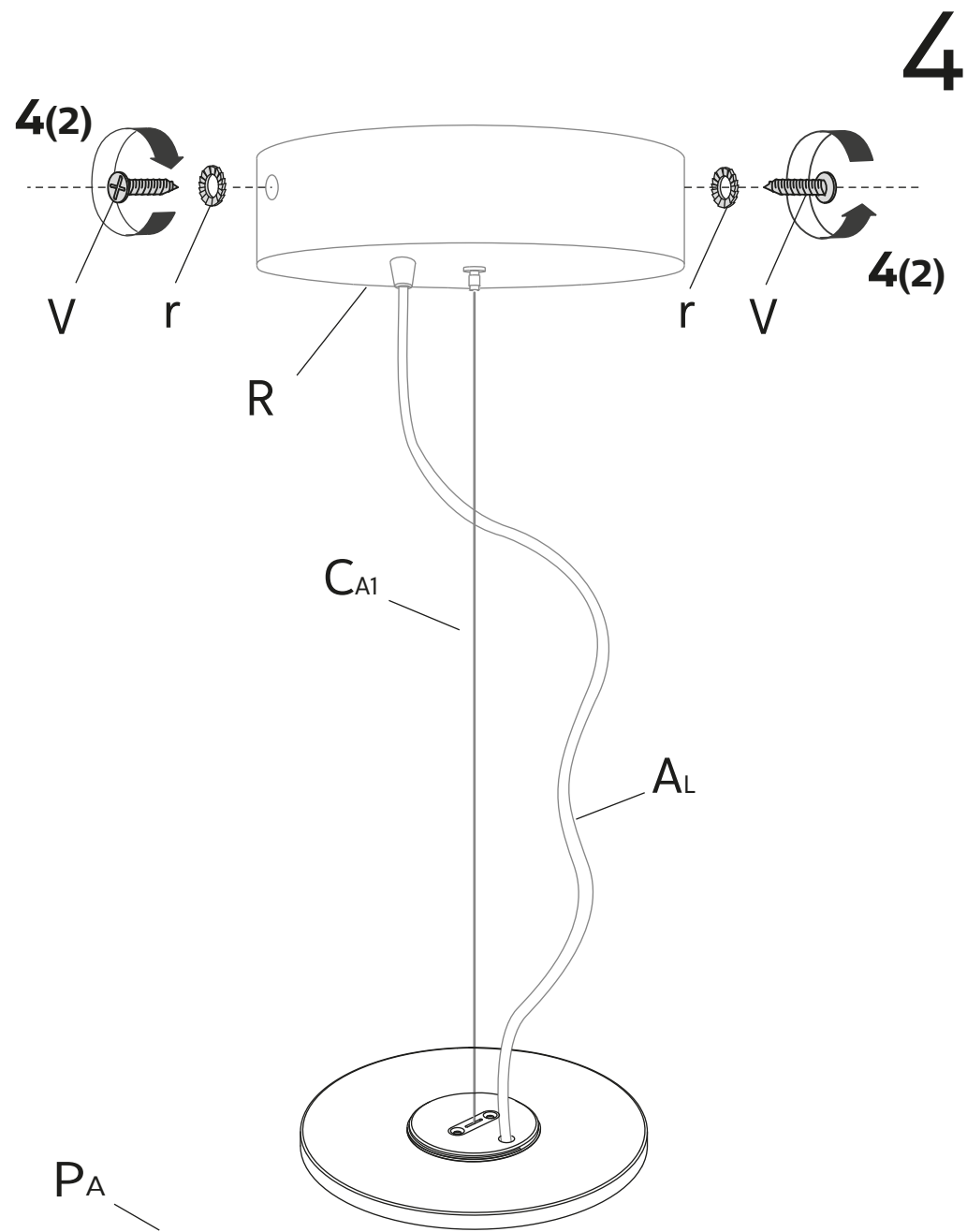
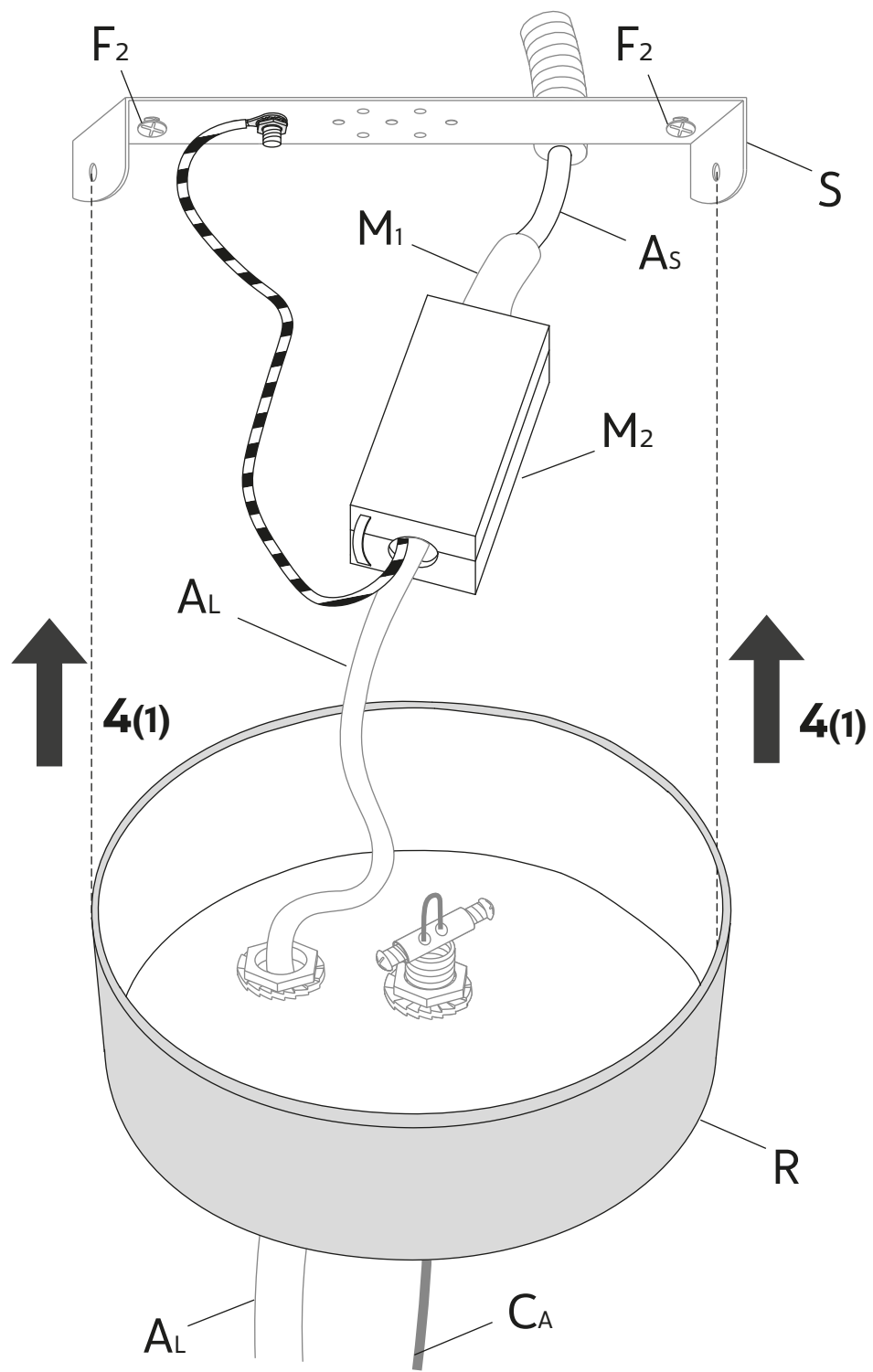
F

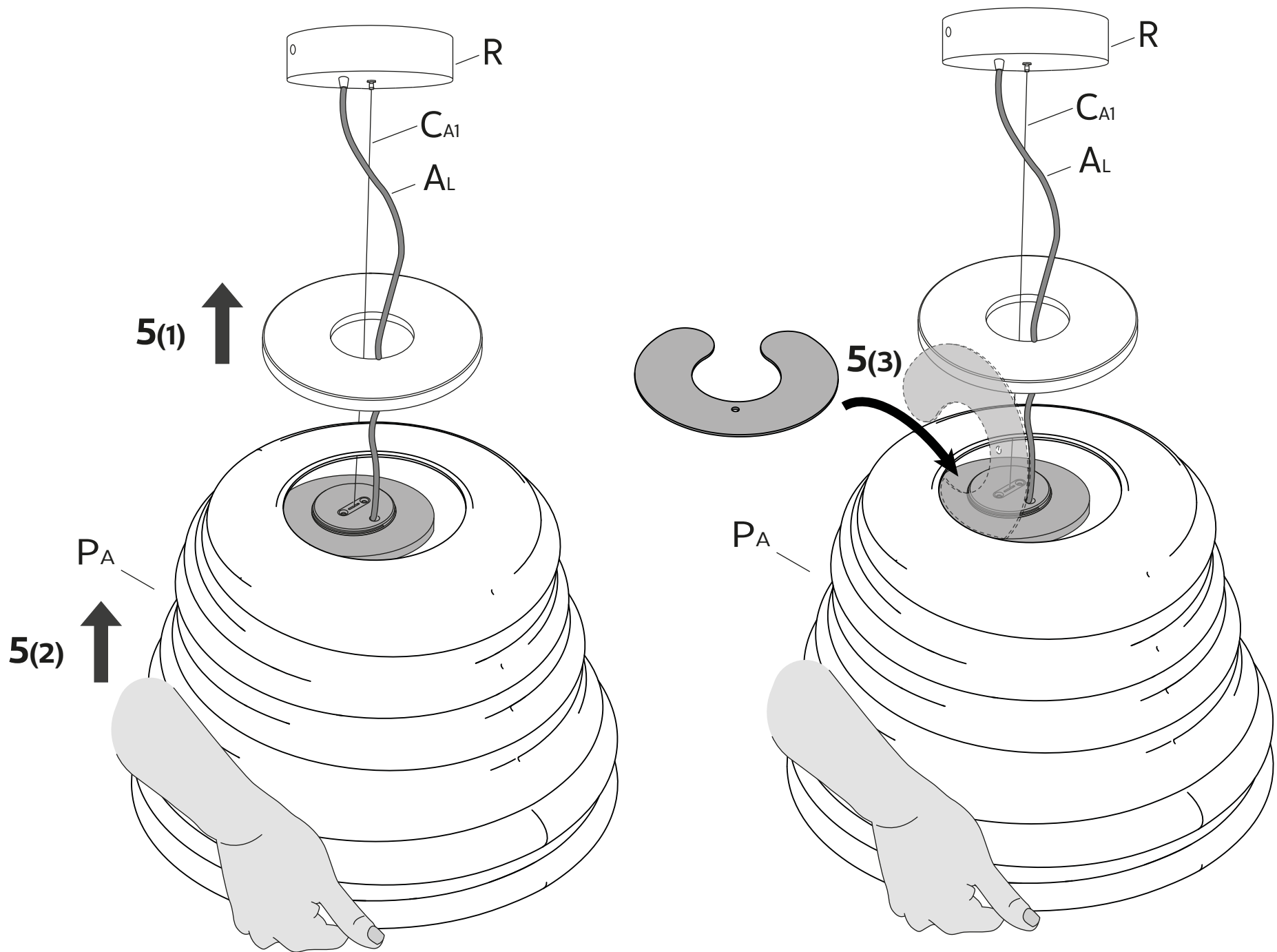


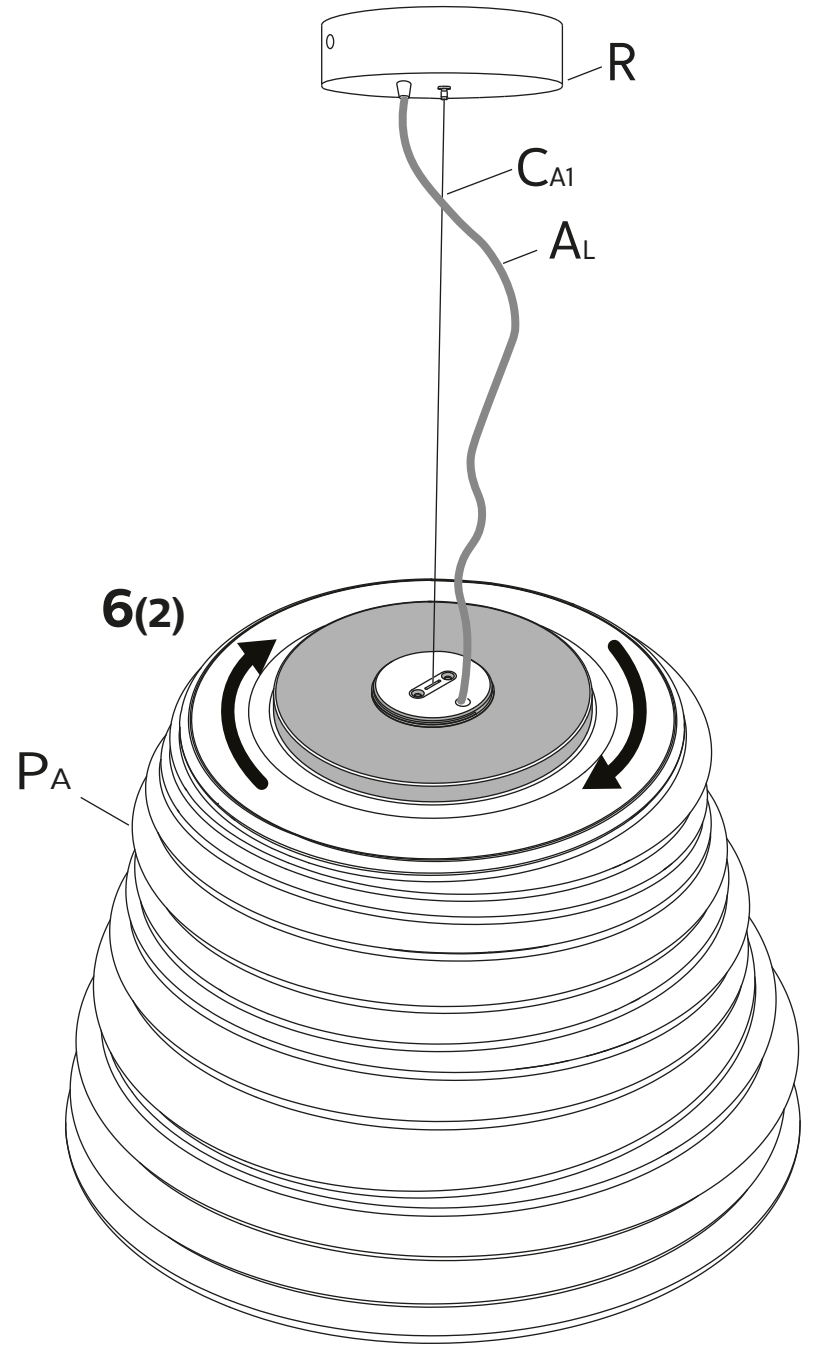
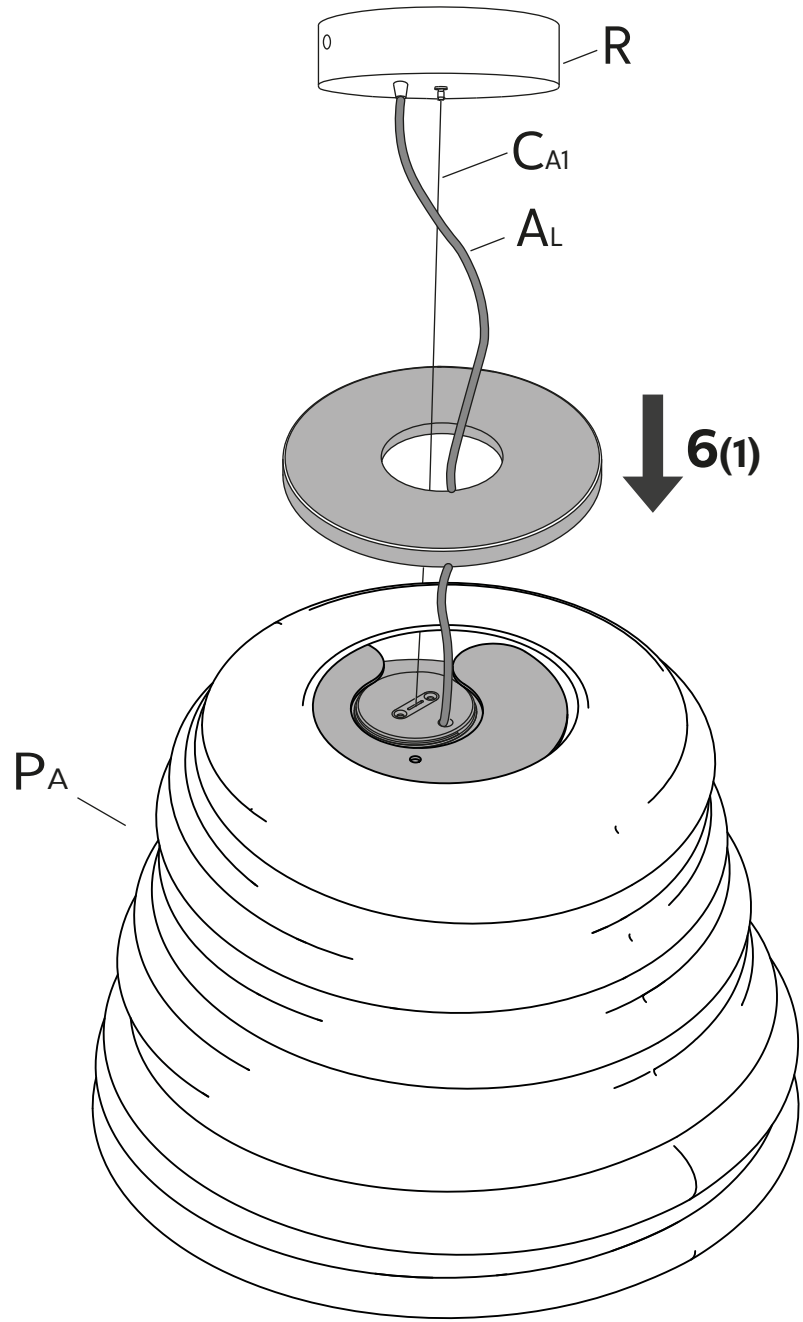


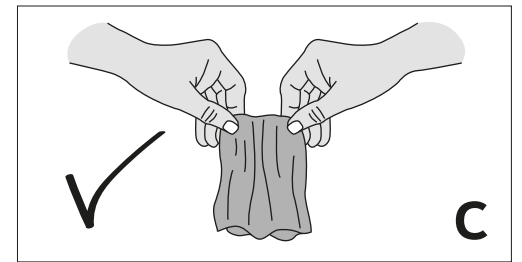
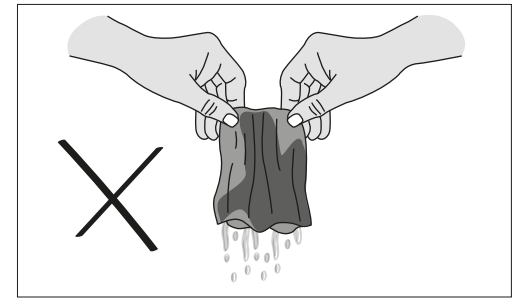
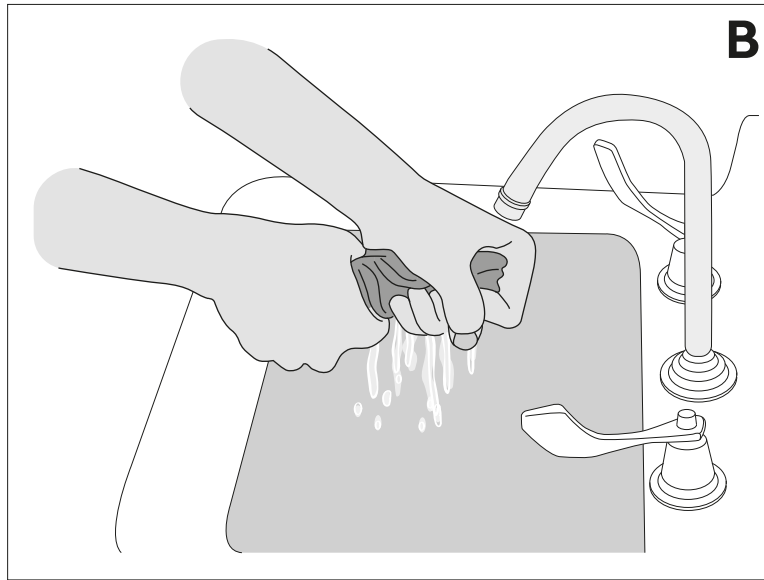
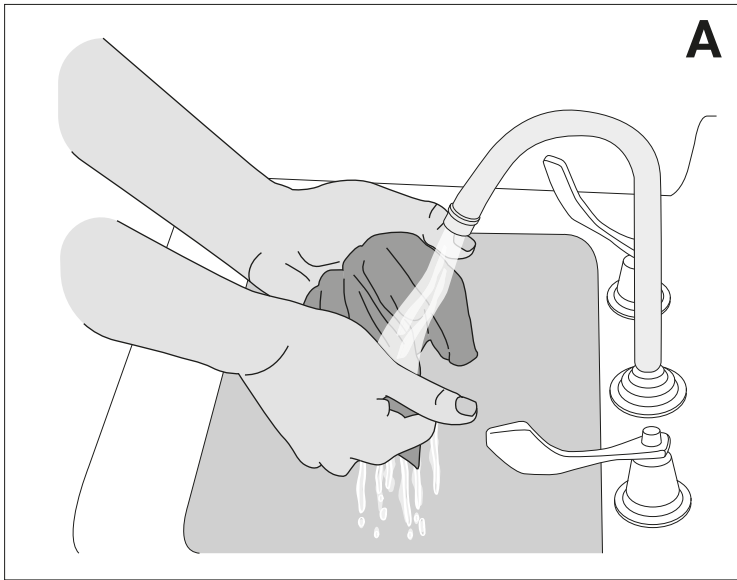












chemical agents



chemical agents



alcohol

