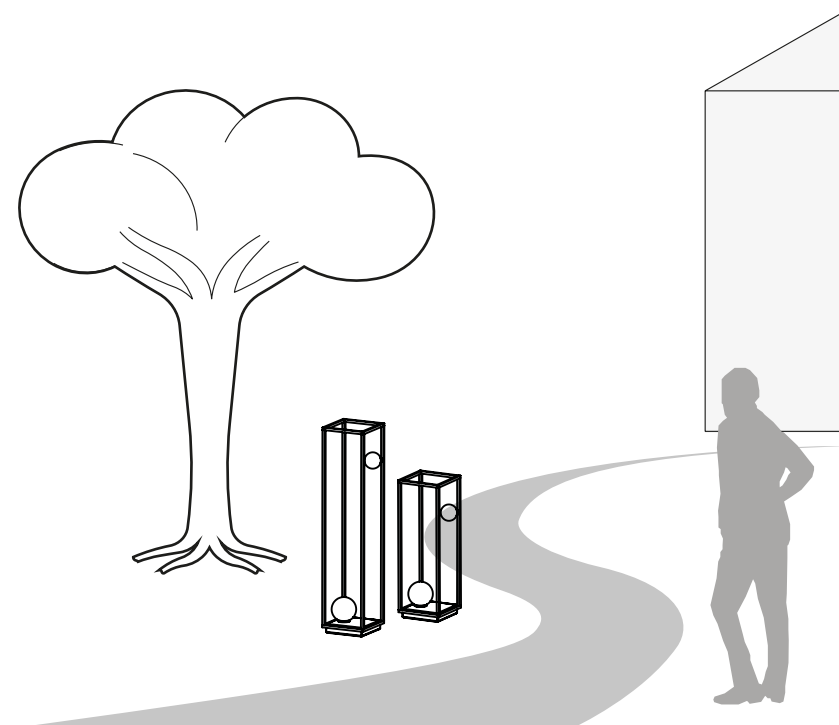
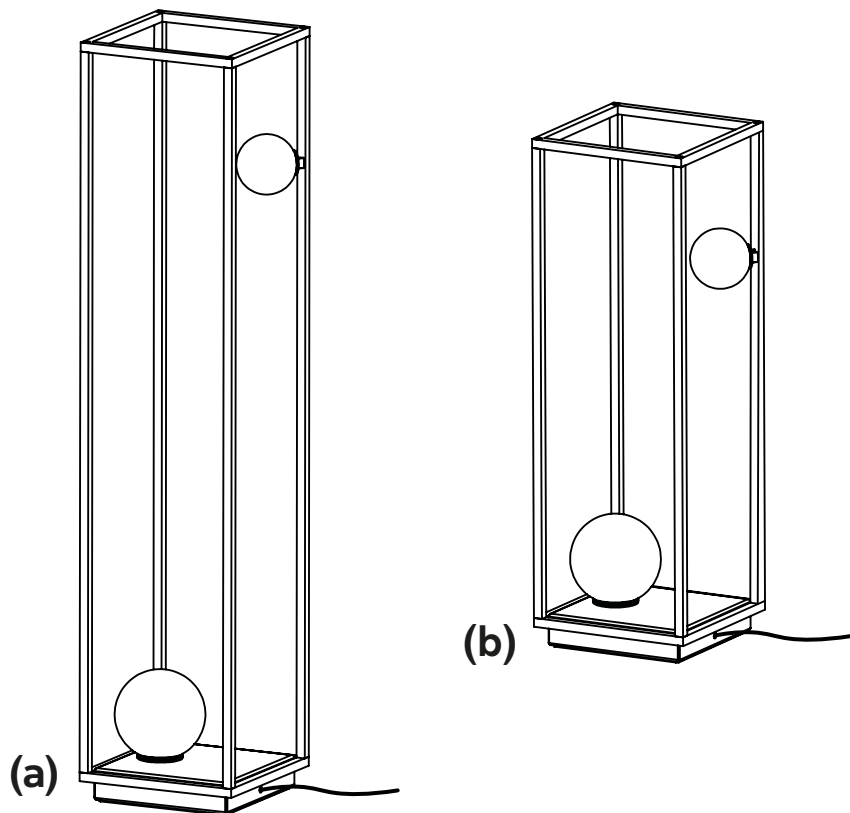


Abachina

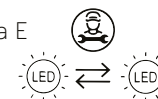
HP291 N1 EXT (a)
HP291 B1 EXT (a)
HP291 N2 EXT (b)
HP291 B2 EXT (b)



Karman srl

Via A. Grandi, San Martino del piano, 61034 Fossombrone (PU), Italy
p.iva 02175640412 tel +39 0721 71 5042 r.a fax +39 0721 716640 - www.karmanitalia.it

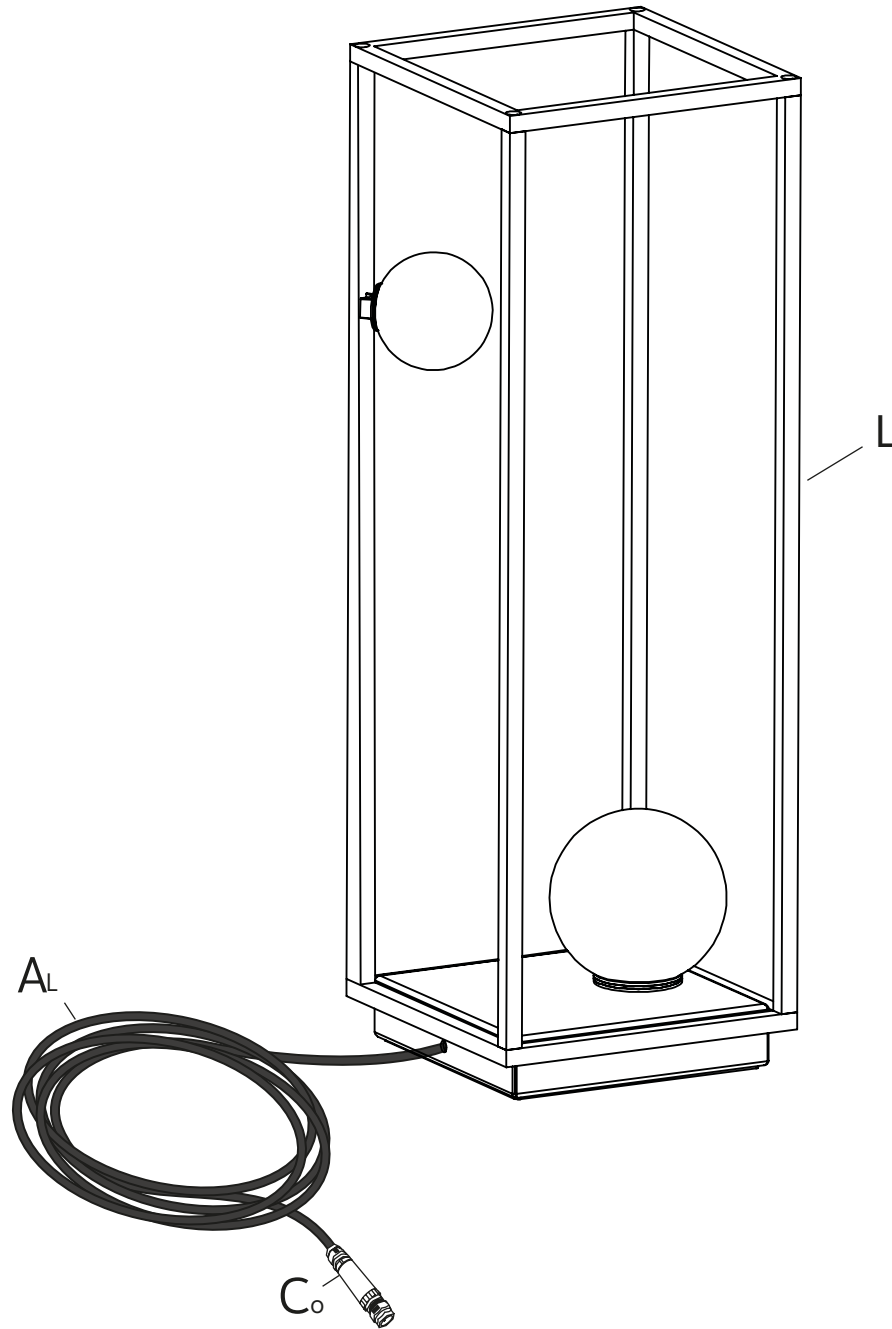
apparecchio fornito di sorgente luminosa di classe energetica E
lamp equipped with light source energy class E

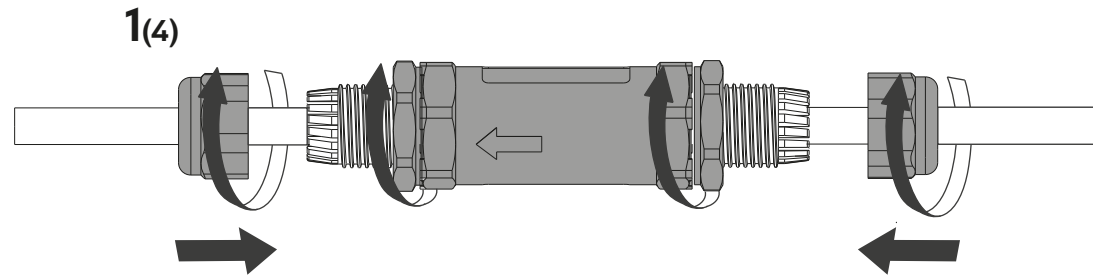
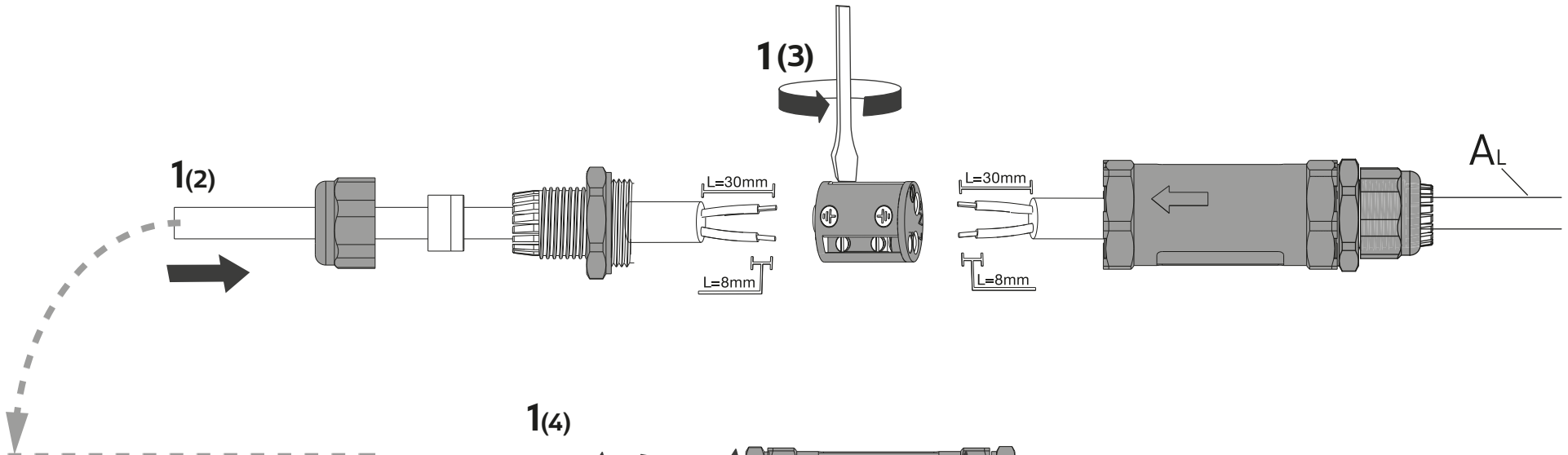
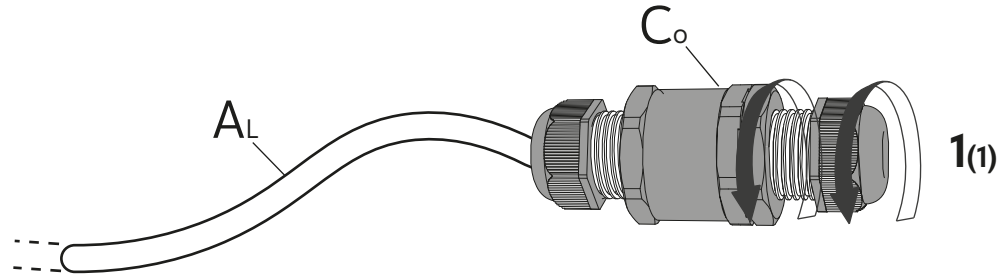
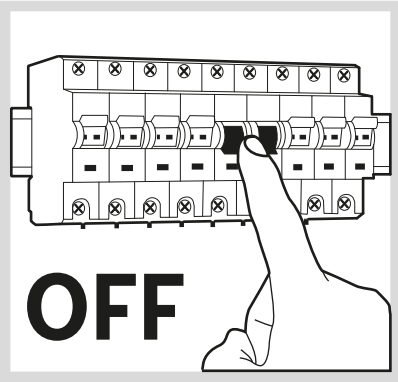


220-240V (led 3,2W+7,4W)

KARMAN

IP65   





2-3 POLI \varnothing 24 Nm 2.5

